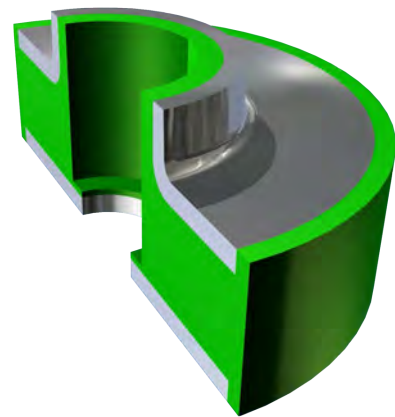
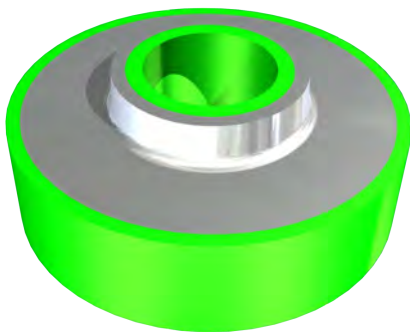




The CGM range provides excellent fail-safe dynamic insulation particularly in vertical direction, both in traction and in compression.

They significantly reduce vibrations and absorb considerable levels of shocks to provide an excellent all-round solution to a wide range of applications on agricultural machines, tractors, off-road machines and military equipment.

These mounts are specially suitable for insulating structures where through assembly is required.



STANDARD PRODUCTION

Washer and flange: DD12 or DD13 steel (UNI EN 10111)

Tube: Fe 360 Steel (ISO 3305/3306)

Natural rubber NR

Zinc plated in accordance with CE standards CHROME VI free, white

Stiffness tolerance +/- 15%

APPLICATIONS

- Engines
- Radiators
- Cabs

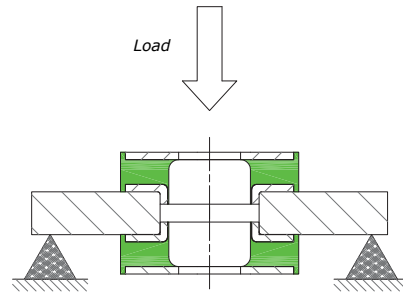
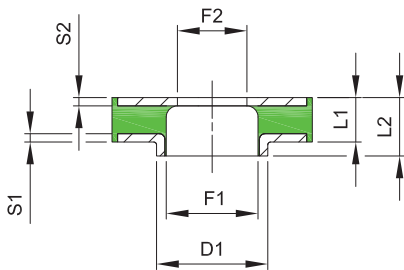
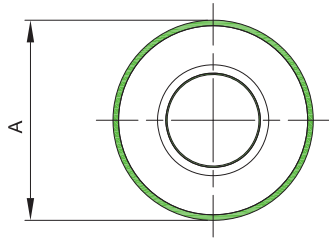
OPTIONS & ADDITIONAL PARTS

NEOPRENE CR and Anti-oil NBR version



UNIVERSAL MOUNTS

Type CGM



N.B. Mounts are sold individually, but need to be installed in pairs as above, to provide the Isolation Characteristics.

(N.B. 1 daN = 1.0197 kgf)

Item	Hardness (IRHD)	A	D1	F1	F2	L1	L2	S1	S2	Average Stiffness (daN/mm)	Max. Load (daN)	Max Deflec. (mm)	Average weight (g)
CGM3611W	45	36	20	16,5	16,5	8	10,5	1,5	1,5	90,0	81,0	0,9	20,0
CGM3611M	60									150,0	135,0	0,9	
CGM3611H	70									230,0	207,0	0,9	
CGM3614W	45	36	18	12	8,5	10	14	1,5	1,5	70,0	84,0	1,2	35,0
CGM3614M	60									110,0	132,0	1,2	
CGM3614H	70									170,0	204,0	1,2	
CGM5023W	45	50	23	20	16,5	13	22,5	1,5	1,5	80,0	120,0	1,5	65,0
CGM5023M	60									140,0	210,0	1,5	
CGM5023H	70									210,0	315,0	1,5	
CGM6017W	45	60	27	24	20,5	13	17	1,5	1,5	110,0	209,0	1,9	85,0
CGM6017M	60									210,0	399,0	1,9	
CGM6017H	70									310,0	589,0	1,9	
CGM6023W	45	60	27	24	20,5	13	23,5	1,5	1,5	110,0	209,0	1,9	85,0
CGM6023M	60									210,0	399,0	1,9	
CGM6023H	70									310,0	589,0	1,9	
CGM6034M	60	60	27	24	21	30	34	1,5	1,5	70,0	245,0	3,5	130,0

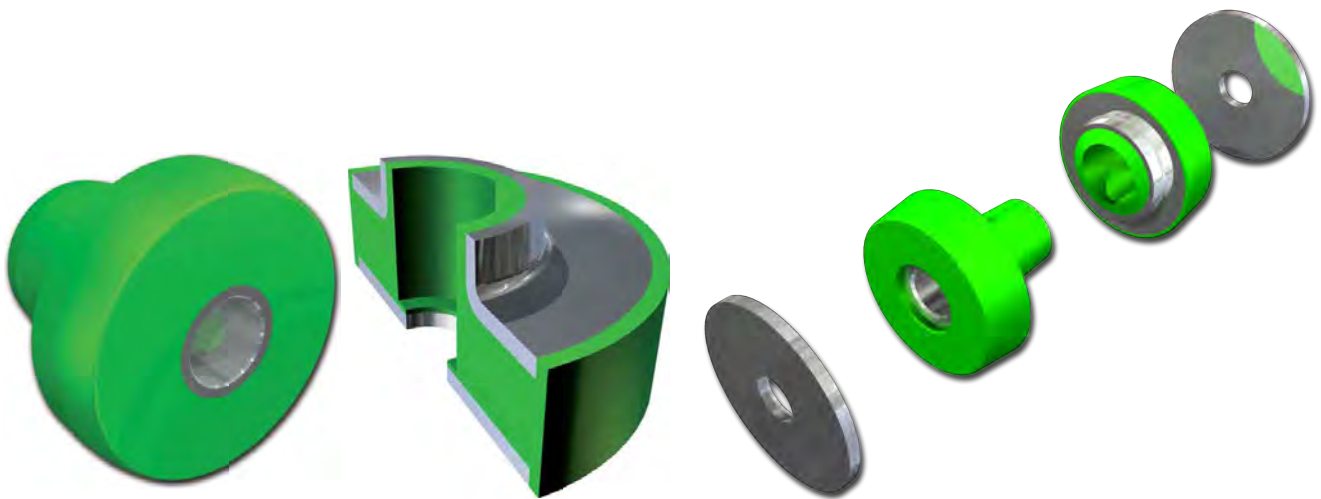
FIBET GROUP operates a policy of continuous improvement and development. We reserve the right to change design and specification of our products without prior notification or alteration of literature.



The CTC range provides excellent fail-safe dynamic insulation particularly in vertical direction, both in traction and in compression.

They significantly reduce vibrations and absorb considerable levels of shocks to provide an excellent all-round solution to a wide range of applications on agricultural machines, tractors, off-road machines and military equipment.

These mounts are specially suitable for insulating structures where through assembly is required.



STANDARD PRODUCTION

Washer and flange: DD12 or DD13 steel (UNI EN 10111)

Tube: Fe 360 Steel (ISO 3305/3306)

Natural rubber NR

Zinc plated in accordance with CE standards CHROME VI free, white

Stiffness tolerance +/- 15%

APPLICATIONS

- Engines
- Radiators
- Cabs

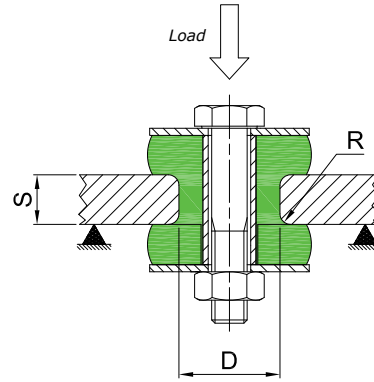
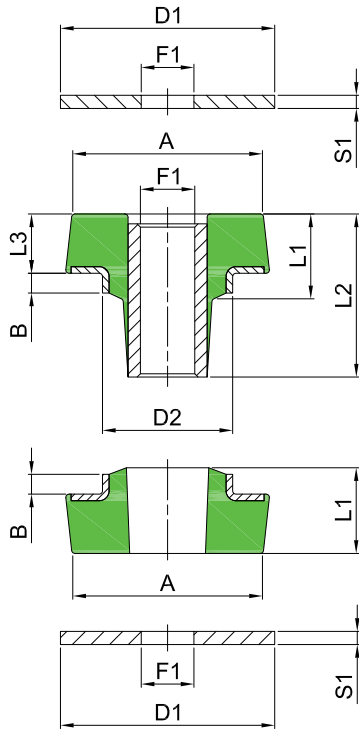
OPTIONS & ADDITIONAL PARTS

NEOPRENE CR and Anti-oil NBR version



UNIVERSAL MOUNTS

Type CTC



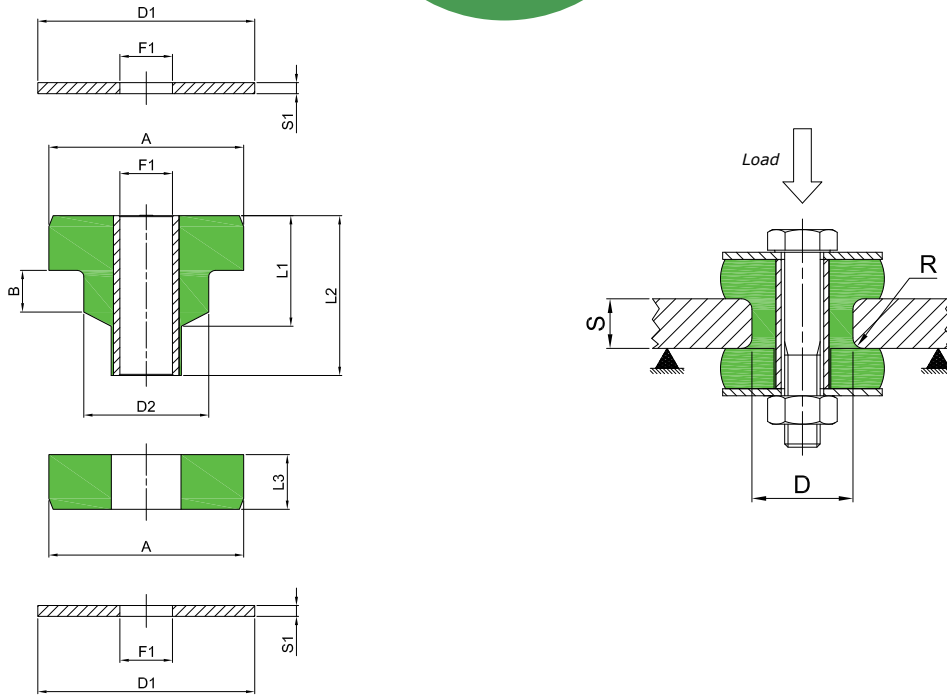
Item	Hardness (IRHD)	Mounts							Washers			Installation			(N.B. 1 daN = 1.0197 kgf)		
		A	B	D2	L1	L2	L3	D1	F1	S1	D	S	R	Average Stiffness (daN/mm)			
CTC6050W	45													68,0	102,0	1,5	
CTC6050M	60	58	6	39.5	26	49.5	18	65	16	4	41	15	1	135,0	202,0	1,5	
CTC6050H	70													210,0	315,0	1,5	

The data related to the average stiffness, maximum load and maximum deflection refer to the assembling scheme shown.
The item code means the mount supplied with washers.



UNIVERSAL MOUNTS

Type CTC



Item	Hardness (IRHD)	Mounts							Washers			Insallation			(N.B. 1 daN = 1.0197 kgf)		
		A	B	F1	D2	L1	L2	L3	D1	F1	S1	D	S	R	Average Stiffness (daN/mm)	Max. Load (daN)	Max Deflec. (mm)
CTC5050W	45	50	10	13	32	30	50	20	55	12,2	3,5	31	15	1,5	43,0	80,0	1,9
CTC5050M	60														86,0	130,0	1,5
CTC6562W	45	65	16	16,5	40	42	61,7	23	70	16	04	39	22	2,3	58,0	120,0	2,1
CTC6562M	60														140,0	260,0	1,9
CTC8973W	45	89	19	24	57	50,5	73	25	99	24	04	57	28	3	130,0	260,0	2,0
CTC8973M	60														240,0	450,0	1,9

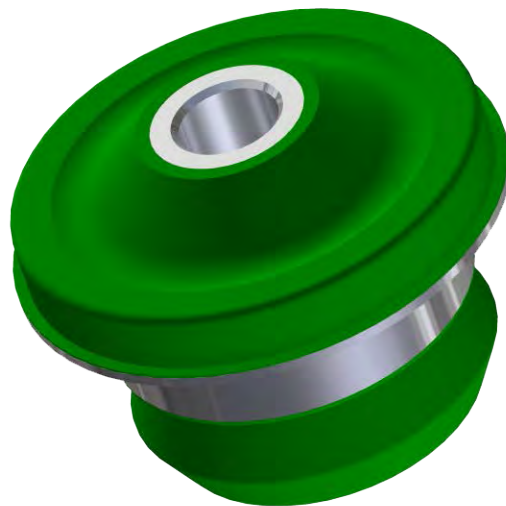
The data related to the average stiffness, maximum load and maximum deflection refer to the assembling scheme shown.
The item code means the mount supplied with washers.



The FBF range provides excellent fail-safe dynamic insulation particularly in vertical direction, both in traction and in compression.

They significantly reduce vibrations and absorb considerable levels of shocks to provide an excellent all-round solution to a wide range of applications on agricultural machines, tractors, off-road machines and military equipment.

These mounts are specially suitable for insulating structures where through assembly is required.



STANDARD PRODUCTION

Washer and flange: DD12 or DD13 steel (UNI EN 10111)

Tube: Fe 360 Steel (ISO 3305/3306)

Natural rubber NR

Zinc plated in accordance with CE standards CHROME VI free, white

Stiffness tolerance +/- 15%

APPLICATIONS

- Engines
- Radiators
- Cabs

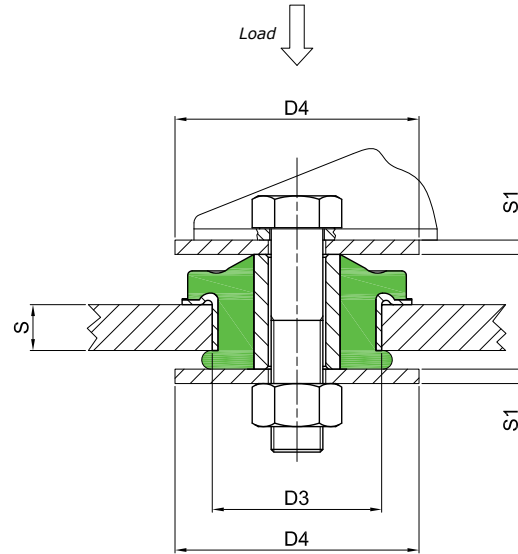
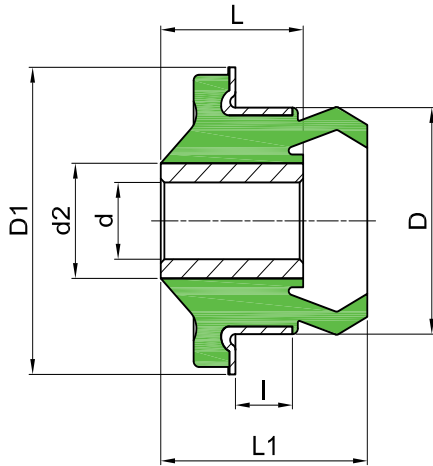
OPTIONS & ADDITIONAL PARTS

NEOPRENE CR and Anti-oil NBR version



UNIVERSAL MOUNTS

Type FBF



• STANDARD HARDNESS 65 IRHD * STANDARD HARDNESS 45 IRHD

Item	Mounts							Installation				(N.B. 1 daN = 1.0197 kgf)		
	d	D	I	L	d2	L1	D1	D3	D4	S	S1	Average Stiffness (daN/mm)	Max. Load (daN)	Max Deflec. (mm)
• FBF1659.1640	16,2	59	16	40	25	58	80	60	85	16	min 5	450	1200	2.7
* FBF1659.1640W												240	720	3
• FBF2059.1640	20	59	16	40	30	58	80	60	85	16	min 5	500	1250	2.5
* FBF2059.1640W												265	800	3

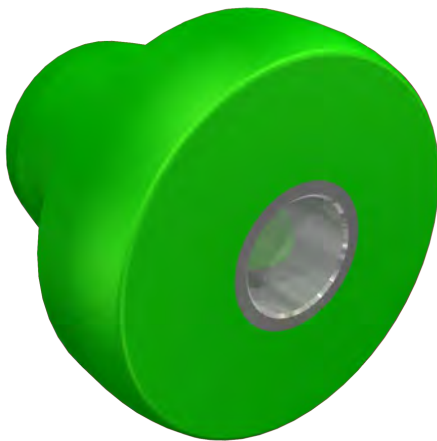
The data related to the average stiffness, maximum load and maximum deflection refer to the assembling scheme shown.



The T range provides excellent fail-safe dynamic insulation particularly in vertical direction, both in traction and in compression.

They significantly reduce vibrations and absorb considerable levels of shocks to provide an excellent all-round solution to a wide range of applications on agricultural machines, tractors, off-road machines and military equipment.

These mounts are specially suitable for insulating structures where through assembly is required.



APPLICATIONS

- Engines
- Radiators
- Cabs

STANDARD PRODUCTION

Washer and flange: DD12 or DD13 steel (UNI EN 10111)

Tube: Fe 360 Steel (ISO 3305/3306)

Natural rubber NR

Zinc plated in accordance with CE standards CHROME VI free, white

Stiffness tolerance +/- 15%

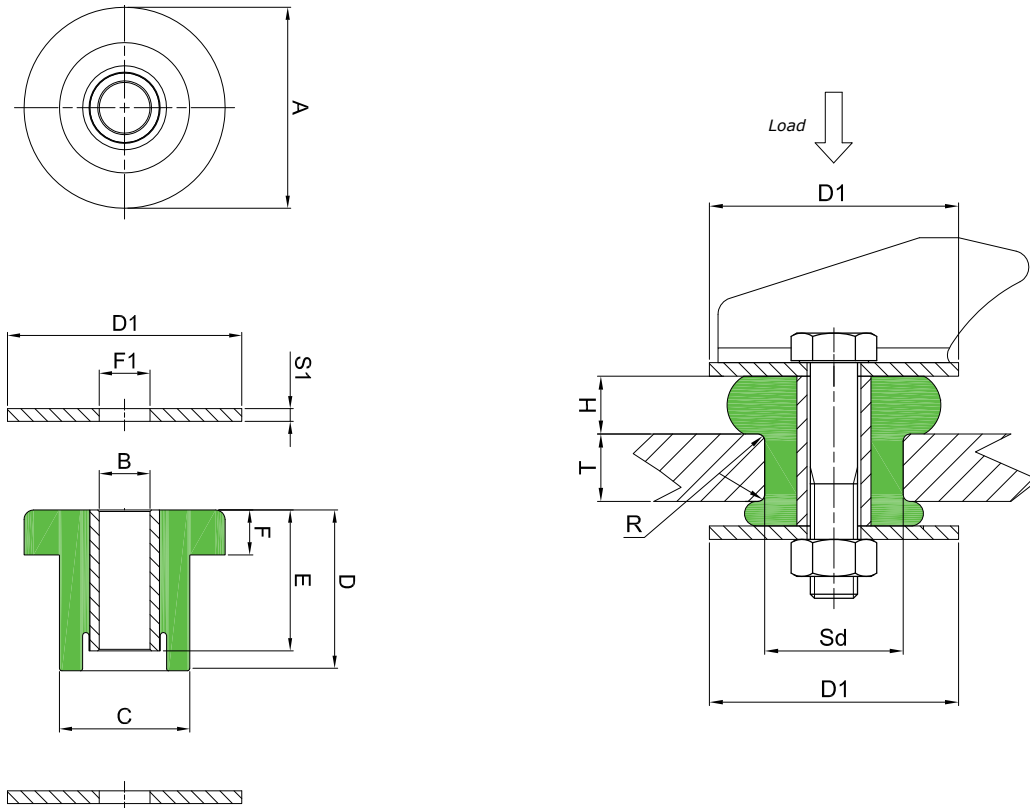
OPTIONS & ADDITIONAL PARTS

NEOPRENE CR and Anti-oil NBR version



UNIVERSAL MOUNTS

Type T



Item	Hardness (IRHD)	Mounts						Installation					Washers			Average Stiffness (daN/mm)	Max. Load (daN)	Max Deflec. (mm)
		A	B	C	D	E	F	H	D1	Sd	R	T	D1	F1	S1			
T3027W	45	32	10	24	36	27,2	14	13	38	22,7	1,5	9,7	38	10	2	22	50	2,3
T3027M	55	32	10	24	36	27,2	14	13	38	22,7	1,5	9,7	38	10	2	38	87	2,3
T5137K	50	51	13	35	51	37	19	17.5	65	31.8	1.5	12.7	65	12	3	45	135	3,0
T6038K	50	60	17.1	37	53	39.2	17	16	70	35,1	1,5	15,7	70	16	4	75	225	3,0
T6344K	50	63.5	16	41.2	50.8	44.5	14.2	14.2	74	38.1	1.5	19.1	74	16	4	115	210	1,8

(N.B. 1 daN = 1.0197 kgf)

The data related to the average stiffness, maximum load and maximum deflection refer to the assembling scheme shown.
The item code means the mount supplied with washers.