



Low frequency elastomeric noise and vibration isolators for industrial equipment and machinery.

The Fibet SEM range of mounts are normally used to insulate the transmission of noise and vibration in vertically applied loads.

Their applications can include generators, blowers, pumps, road machines or any equipment that by design is unbalanced.

They can also be used for isolating instrumentation in mobile, military or road and can accommodate loads between 1.5daN (approx. 1.5kg) to 170daN's (approx. 173kg) per Mount.



APPLICATIONS

- Measurement equipment • Instruments • Small machinery
- Engines • Pumps • Radiators

STANDARD PRODUCTION

Plates: DD12 or DD13 steel (UNI EN 10111)

Nuts: Resistance class 4 Screws: Resistance class 4.8

Natural rubber NR

Zinc plated in accordance with CE standards CHROME VI free, white

Stiffness tolerance +/- 20%

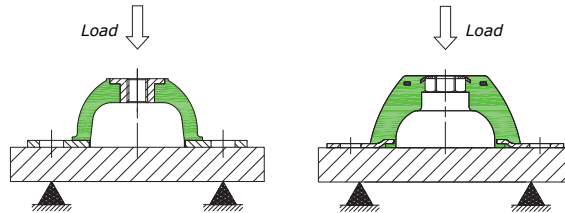
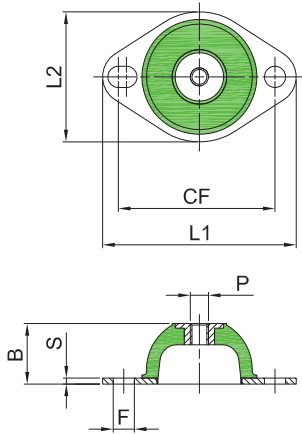
OPTIONS & ADDITIONAL PARTS

Alternative elastomeric hardness and compounds available

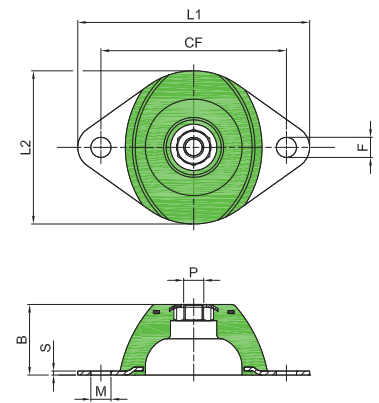


LIGHT DUTY MOUNTS

Type SEM



Type 1



Type 2

(N.B. 1 daN = 1.0197 kgf)

Item	Hardness (IRHD)	B	L1	L2	P	CF	F(xM)	S	Average Stiffness (daN/mm)	Max. Load (daN)	Max Deflec. (mm)	Type
SEM-6420W	45	20	64	43	M6	50	7	2	1,5	4,5	3,0	1
SEM-6420M	60								3,0	9,0		
SEM-6420H	70								5,5	16,5		
SEM-8525W	45	25	88	59	M8	65 73	08X12	2,5	4,0	26,5	7,5	1
SEM-8525M	60								6,0	43,0		
SEM-8525H	70								10,0	75,0		
SEM-8525/1W	45	25	88	59	M10	65 73	08X12	2,5	4,0	26,5	7,5	1
SEM-8525/1M	60								8,0	43,0		
SEM-8525/1H	70								12,0	75,0		
SEM-10027W	45	27	100	70	M8	76	7	3	15,0	75,0	5,0	2
SEM-10027M	60								24,0	120,0		
SEM-10027H	70								35,0	170,0		
SEM-10027/1W	45	27	100	70	M8	76	10	3	15,0	75,0	5,0	2
SEM-10027/1M	60								24,0	120,0		
SEM-10027/1H	70								35,0	170,0		
SEM-11435RW	45	35	115	76	M10	92	10	2	7,0	40,0	5,6	2
SEM-11435RM	60								11,0	60,0		
SEM-11435RH	70								24,0	135,0		

FIBET GROUP operates a policy of continuous improvement and development. We reserve the right to change design and specification of our products without prior notification or alteration of literature.

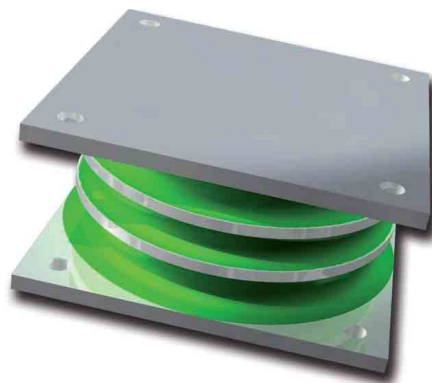


Low frequency elastomeric noise and vibration isolators for industrial equipment and machinery.

The Fibet SW & SWR range of mounts are normally used to insulate the transmission of noise and vibration in vertically applied loads.

Their applications can include generators, blowers, pumps, road machines or any equipment that by design is unbalanced.

They can also be used for isolating instrumentation in mobile, military or road and can accommodate loads between 110daN (approx. 112kg) to 7,650daN's (approx. 7,800kg) per Mount.



APPLICATIONS

- Measurement equipment
- Instruments
- Small machinery
- Engines
- Pumps
- Radiators

STANDARD PRODUCTION

Plates: DD12 or DD13 steel (UNI EN 10111)

Nuts: Resistance class 4

Screws: Resistance class 4.8

Natural rubber NR

Zinc plated in accordance with CE standards CHROME VI free, white

Stiffness tolerance +/- 20%

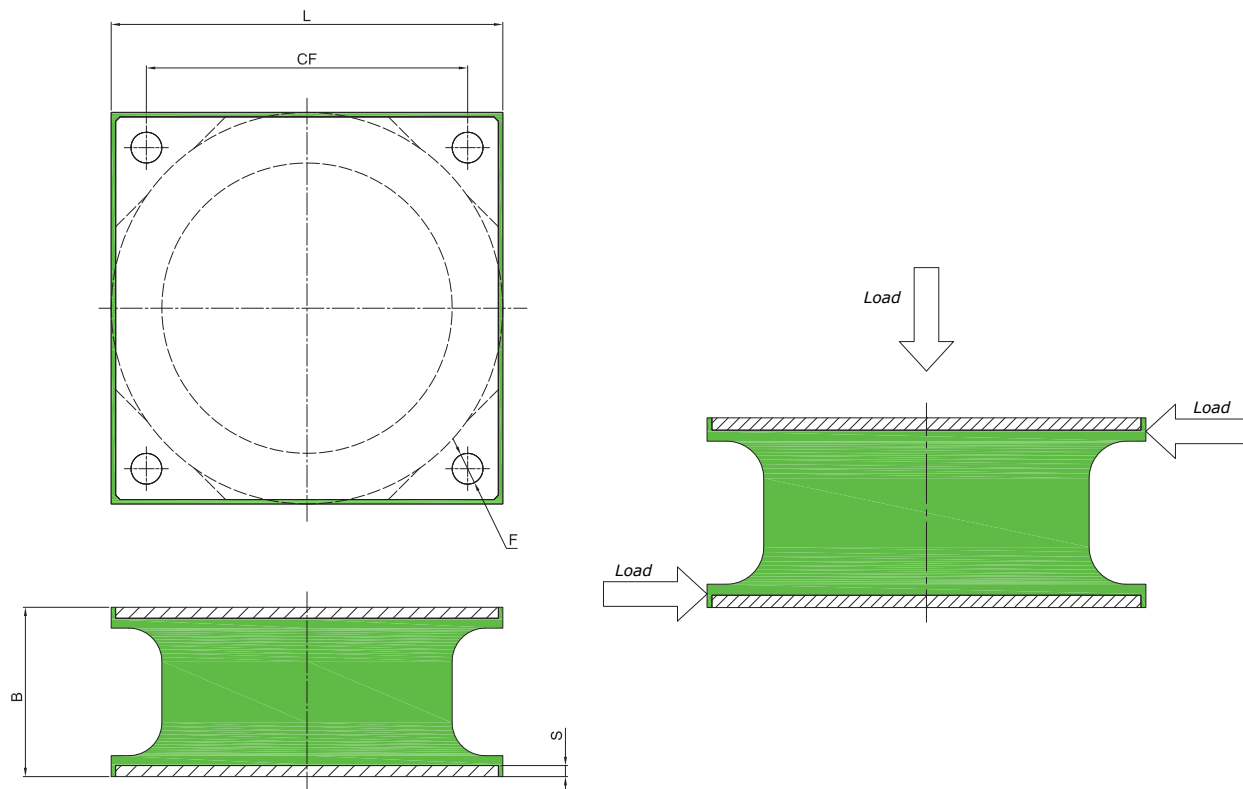
OPTIONS & ADDITIONAL PARTS

Alternative elastomeric hardness and compounds available



SANDWICH MOUNTS

Type SW



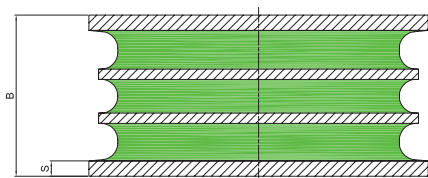
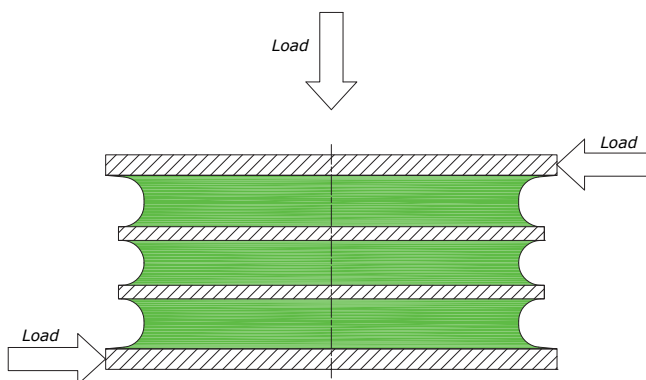
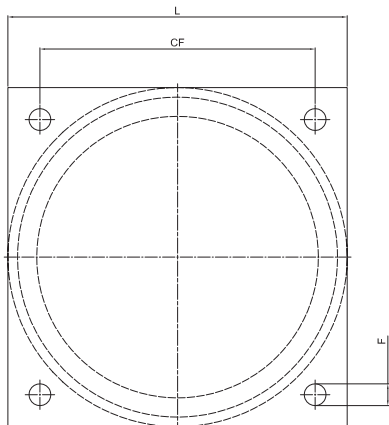
(N.B. 1 daN = 1.0197 kgf)

Item	Hardness (IRHD)	L	B	CF	F	S	Average Compression Stiffness (daN/mm)	Max Compression Load (daN)	Average Shear Stiffness (daN/mm)	Max Shear Load (daN)
SW150WKG	45	150	65	126	11	8	140,0	1320,0	22,0	170,0
SW150KMG	60						170,0	1650,0	27,0	215,0
SW174KG	50	174	75	146	14	5	110,0	1600,0	14,0	130,0
SW174MG	60						160,0	2100,0	25,0	234,0



SANDWICH MOUNTS

Type SWR



(N.B. 1 daN = 1.0197 kgf)

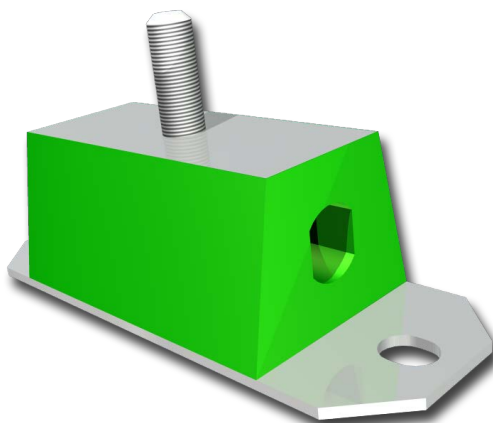
Item	Hardness (IRHD)	L	B	CF	F	S	Average Compression Stiffness (daN/mm)	Max Compression Load (daN)	Average Shear Stiffness (daN/mm)	Max Shear Load (daN)
SWR150W	45	166	63	136	13,5	6	650	3000	14	300
SWR150M	60						1100	4950	23	580
SWR150H	70						1700	7650	33	850



Low frequency elastomeric noise and vibration isolators for industrial equipment and machinery. The Fibet ZTV/ZTD range of mounts are normally used to insulate the transmission of noise and vibration in vertically applied loads.

Their applications can include generators, blowers, pumps, road machines or any equipment that by design is unbalanced.

They can also be used for isolating instrumentation in mobile, military or road and can accommodate loads between 19daN (approx. 19kg) to 460daN's (approx. 469kg) per Mount.



APPLICATIONS

- Measurement equipment • Instruments • Small machinery
- Engines • Pumps • Radiators

STANDARD PRODUCTION

Plates: DD12 or DD13 steel (UNI EN 10111)

Nuts: Resistance class 4

Screws: Resistance class 4.8

Natural rubber NR

Zinc plated in accordance with CE standards CHROME VI free, white

Stiffness tolerance +/- 20%

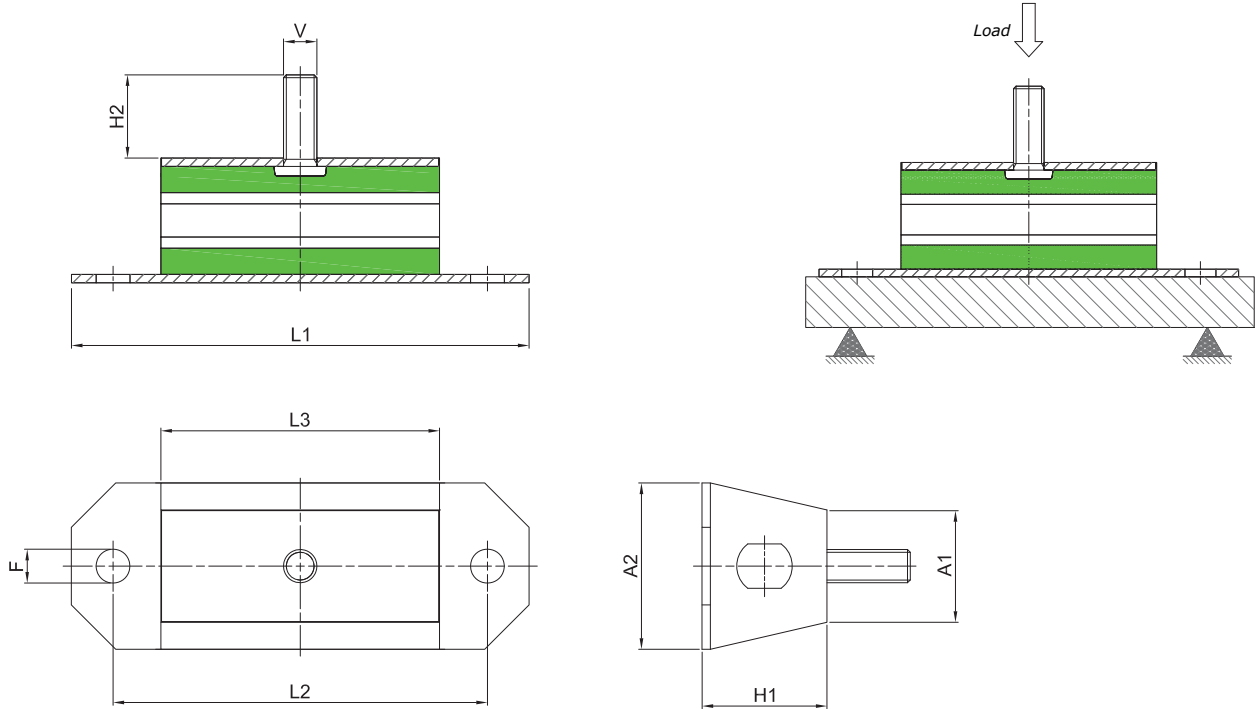
OPTIONS & ADDITIONAL PARTS

Alternative elastomeric hardness and compounds available



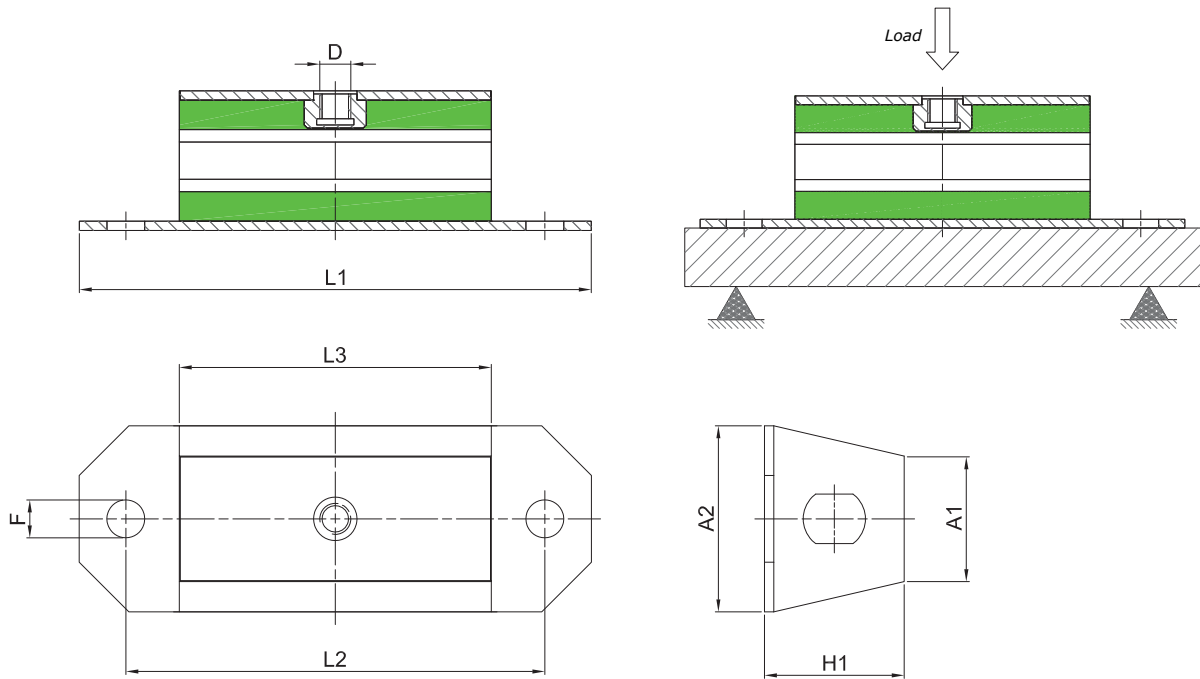
MEDIUM DUTY MOUNTS

Type ZTV



(N.B. 1 daN = 1.0197 kgf)

Item	Hardness (IRHD)	A1	A2	V	H1	H2	F	L1	L2	L3	Average Stiffness (daN/mm)	Max. Load (daN)	Max Deflec. (mm)
11550ZTV37M	60	40	60	M12	45	37	13,2	115	85	50	19,0	150	8,0
165100ZTV37M	60	40	60	M12	45	37	13,2	165	135	100	42,0	320	7,7
215150ZTV37M	60	40	60	M12	45	37	13,2	215	185	150	62,0	460	7,4



(N.B. 1 daN = 1.0197 kgf)

Item	Hardness (IRHD)	A1	A2	D	H1	F	L1	L2	L3	Average Stiffness (daN/mm)	Max. Load (daN)	Max Deflec. (mm)
11550ZTD12M	60	40	60	M12	45	13,2	115	85	50	19,0	150	8,0
165100ZTD12M	60	40	60	M12	45	13,2	165	135	100	42,0	320	7,7
215150ZTD12M	60	40	60	M12	45	13,2	215	185	150	62,0	460	7,4