

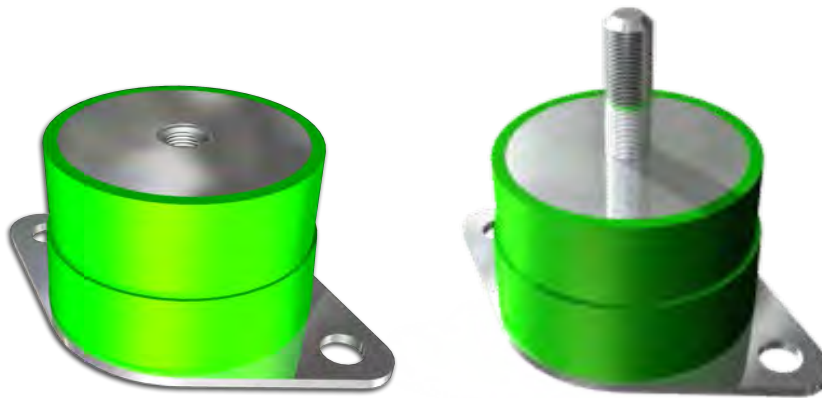


HEAVY DUTY MOUNTS

Type VBL/DBL

The VBL/DBL range of mounts is extremely versatile and can be used in various applications that only need to overcome compression forces (i.e. generators, pumps, compressors etc.). They are a simpler and cost effective alternative to more traditionally complicated mounts.

These mounts can be supplied with either a male screw (VBL) or with a threaded insert (DBL), and are designed with a flanged base to simplify installation to the end product. This range of Mounts can accommodate loads between 20daN (approx. 20kg) to 3,850daN's (approx. 3,925kg) per Mount.



STANDARD PRODUCTION

Flange and washer: DD12 or DD13 steel (UNI EN 10111)

Nuts: Resistance class 4 Screws: Resistance class 4.8

Natural rubber NR

Zinc plated in accordance with CE standards CHROME VI free, white

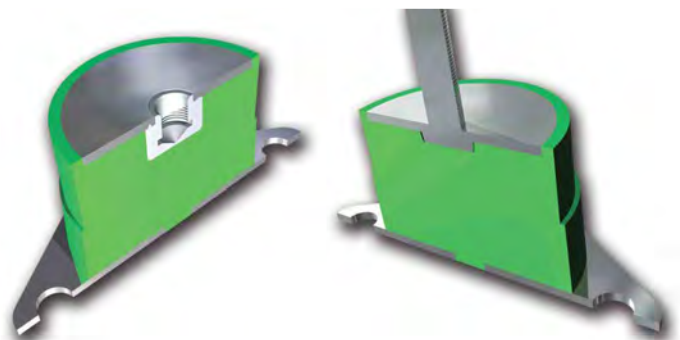
Stiffness tolerance +/- 20%

APPLICATIONS

- Measurement equipment
- Instruments • Small machinery
- Engines • Pumps • Radiators

OPTIONS & ADDITIONAL PARTS

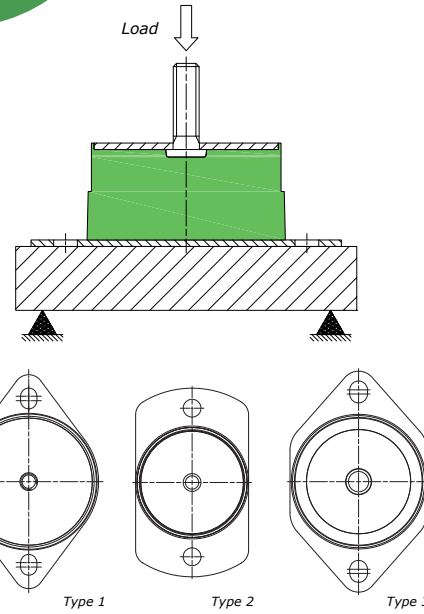
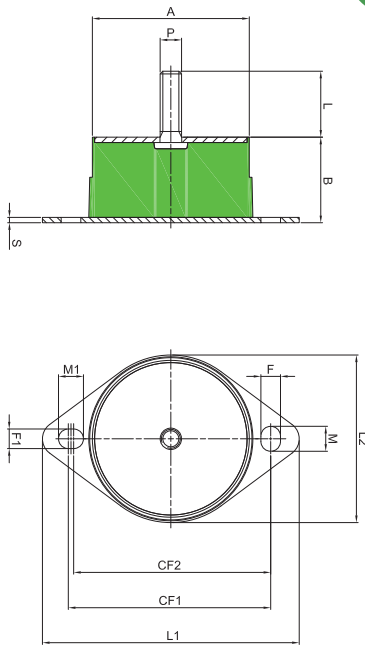
NEOPRENE CR version Height adjuster (DBL Version)





HEAVY DUTY MOUNTS

Type VBL



(N.B. 1 daN = 1.0197 kgf)

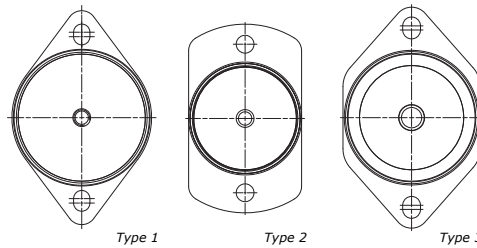
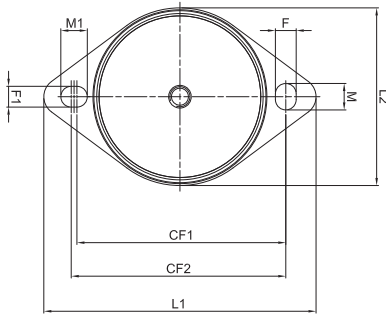
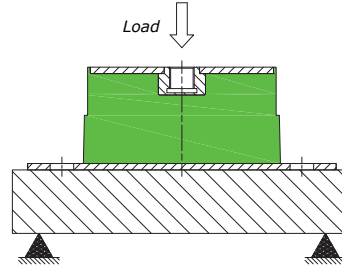
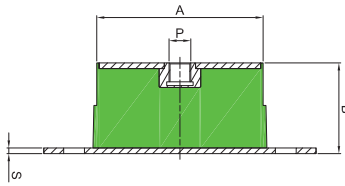
Item	Hardness (IRHD)	A	B	L	P	F FXM (F1XM1)	CF1	CF2	L1	L2	S	Average Stiffness (daN/mm)	Max Load (daN)	Max Deflec. (mm)	Type
7050VBL38W	45											20,0	160,0	8,0	1
7050VBL38M	60	71	50	37	M12	12	100	-	127	77	3	40,0	320,0	8,0	
7050VBL38H	70											60,0	480,0	8,0	
7050VBL38W	45											20,0	160,0	8,0	2
7050VBL38M	60	71	50	37	M12	12	100	-	127	76	3	40,0	320,0	8,0	
7050VBL38H	70											60,0	480,0	8,0	
8550VBL38W	45											55,0	440,0	8,0	1
8550VBL38M	60	88	48	37	M12	11	112	-	144	94	3	90,0	720,0	8,0	
8550VBL38H	70											130,0	1040,0	8,0	
10580VBL38W	45											50,0	600,0	12,0	3
10580VBL38M	60	100	80	38	M20	(14X17,25)	138	144,5	174	108	4	90,0	1080,0	12,0	
10580VBL38H	70											145,0	1750,0	12,0	
12564VBL42W	45											85,0	850,0	10,0	1
12564VBL42M	60	124	64	42	M20	18 X 23 (18X23)	177	182	215	144	4	140,0	1400,0	10,0	
12564VBL42H	70											220,0	2200,0	10,0	
15280VBL38W	45											105,0	1250,0	12,0	3
15280VBL38M	60	152	80	38	M20	(18X21,75)	190	197,5	232	168	4	200,0	2200,0	12,0	
15280VBL38H	70											320,0	3850,0	12,0	

FIBET GROUP operates a policy of continuous improvement and development. We reserve the right to change design and specification of our products without prior notification or alteration of literature.



HEAVY DUTY MOUNTS

Type DBL



(N.B. 1 daN = 1.0197 kgf)

Item	Hardness (IRHD)	A	B	P	F FXM (F1XM1)	CF1	CF2	L1	L2	S	Average Stiffness (daN/mm)	Max Load (daN)	Max Deflec. (mm)	Type
7050DBL12W	45	71	50	M12	12	100	-	127	77	3	20,0	160,0	8,0	1
7050DBL12M	60										40,0	320,0	8,0	
7050DBL12H	70										60,0	480,0	8,0	
7050DBLS12W	45	71	50	M12	12	100	-	127	76	3	20,0	160,0	8,0	2
7050DBLS12M	60										40,0	320,0	8,0	
7050DBLS12H	70										60,0	480,0	8,0	
8550DBL12W	45	88	48	M12	11	112	-	144	94	3	55,0	440,0	8,0	1
8550DBL12M	60										90,0	720,0	8,0	
8550DBL12H	70										130,0	1040,0	8,0	
10580DBL20W	45	100	80	M20	(14X17,25)	138	144,5	174	108	4	50,0	600,0	12,0	3
10580DBL20M	60										90,0	1080,0	12,0	
10580DBL20H	70										145,0	1750,0	12,0	
12564DBL20W	45	124	64	M20	18 X 23 (18X23)	177	182	215	144	4	85,0	850,0	10,0	1
12564DBL20M	60										140,0	1400,0	10,0	
12564DBL20H	70										220,0	2200,0	10,0	
15280DBL20W	45	152	80	M20	(18X21,75)	190	197,5	232	168	4	105,0	1250,0	12,0	3
15280DBL20M	60										200,0	2200,0	12,0	
15280DBL20H	70										320,0	3850,0	12,0	

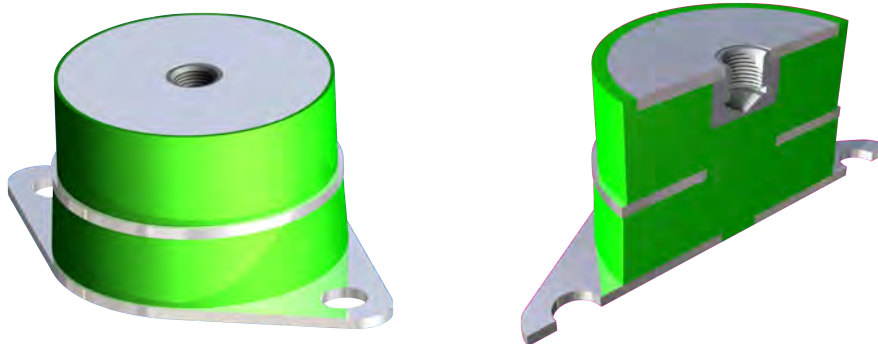
FIBET GROUP operates a policy of continuous improvement and development. We reserve the right to change design and specification of our products without prior notification or alteration of literature.



The VBLR/DBLR mounts are an evolution of the VBL/DBL range and are designed with a metal insert within the elastomeric part.

This allows the mounts to support higher loads than the VBL/DBL range, and also enables it to absorb huge impulsive charges under full power, whilst maintaining the necessary levels of deflection and insulation for effective operation.

This range of Mounts can accommodate loads between 45daN (approx.46kg) to 3,150daN's (approx. 3,212kg) per Mount.



STANDARD PRODUCTION

Flange and washer: DD12 or DD13 steel (UNI EN 10111)

Nuts: Resistance class 4 Screws: Resistance class 4.8

Natural rubber NR

Zinc plated in accordance with CE standards CHROME VI free, white

Stiffness tolerance +/- 20%

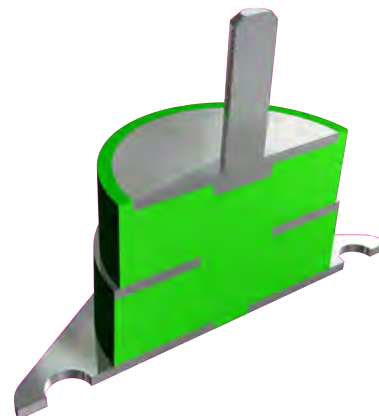
APPLICATIONS

- Measurement equipment
- Instruments • Small machinery
- Engines • Pumps • Radiators

OPTIONS & ADDITIONAL PARTS

NEOPRENE CR version

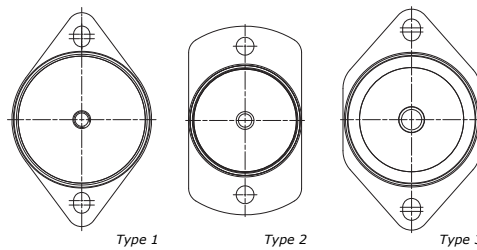
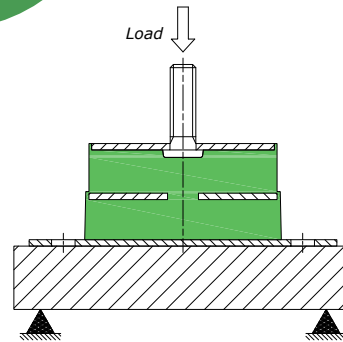
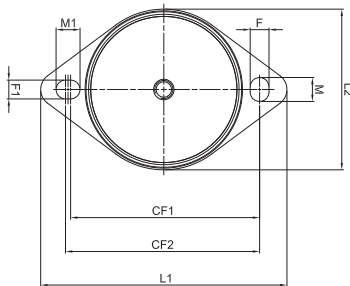
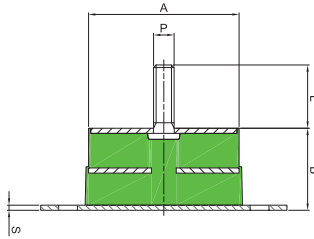
Height adjuster - DBLR version





HEAVY DUTY MOUNTS

Type VBLR



(N.B. 1 daN = 1.0197 kgf)

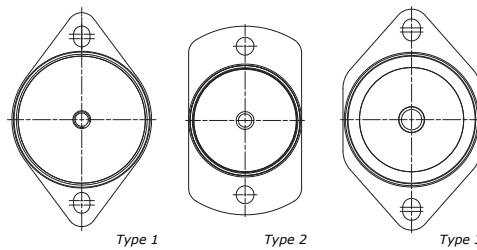
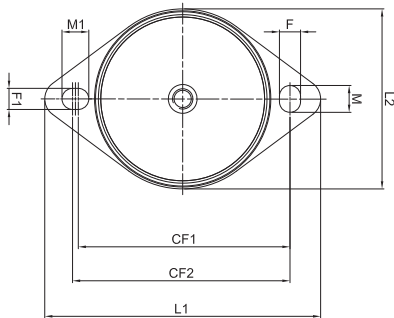
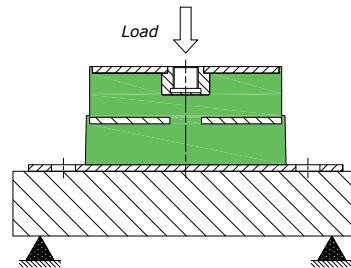
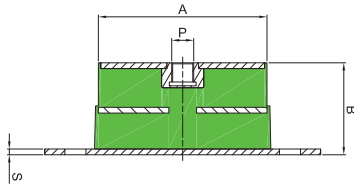
Item	Hardness (IRHD)	A	B	L	P	F FXM (F1XM1)	CF1	CF2	L1	L2	S	Average Stiffness (daN/mm)	Max Load (daN)	Max Deflec. (mm)	Type
7050VBLR38W	45	71	50	37	M12	12	100	-	127	77	3	45,0	225,0	5,0	1
7050VBLR38M	60											80,0	400,0	5,0	
7050VBLR38H	70											120,0	600,0	5,0	
7050VBLRS38W	45	71	50	37	M12	12	100	-	127	76	3	45,0	225,0	5,0	2
7050VBLRS38M	60											85,0	425,0	5,0	
7050VBLRS38H	70											120,0	600,0	5,0	
8550VBLR38W	45	88	48	37	M12	11	112	-	144	94	3	110,0	550,0	5,0	1
8550VBLR38M	60											170,0	850,0	5,0	
8550VBLR38H	70											255,0	1275,0	5,0	
10580VBLR38W	45	100	80	38	M20	(14X17,25)	138	144,5	174	108	4	105,0	945,0	9,0	3
10580VBLR38M	60											180,0	1620,0	9,0	
10580VBLR38H	70											270,0	2430,0	9,0	
12564VBLR42W	45	124	64	42	M20	18 X 23 (18X23)	177	182	215	144	4	160,0	1120,0	7,0	1
12564VBLR42M	60											305,0	2135,0	7,0	
12564VBLR42H	70											450,0	3150,0	7,0	

FIBET GROUP operates a policy of continuous improvement and development. We reserve the right to change design and specification of our products without prior notification or alteration of literature.



HEAVY DUTY MOUNTS

Type DBLR



(N.B. 1 daN = 1.0197 kgf)

Item	Hardness (IRHD)	A	B	P	F FXM (F1XM1)	CF1	CF2	L1	L2	S	Average Stiffness (daN/mm)	Max Load (daN)	Max Deflec. (mm)	Type
7050DBLR12W	45	71	50	M12	12	100	-	127	77	3	45,0	225,0	5,0	1
7050DBLR12M	60										80,0	400,0	5,0	
7050DBLR12H	70										120,0	600,0	5,0	
7050DBLRS12W	45	71	50	M12	12	100	-	127	76	3	45,0	225,0	5,0	2
7050DBLRS12M	60										85,0	425,0	5,0	
7050DBLRS12H	70										120,0	600,0	5,0	
8550DBLR12W	45	88	48	M12	11	112	-	144	94	3	110,0	550,0	5,0	1
8550DBLR12M	60										170,0	850,0	5,0	
8550DBLR12H	70										255,0	1275,0	5,0	
10580DBLR20W	45	100	80	M20	(14X17,25)	138	144,5	174	108	4	105,0	945,0	9,0	3
10580DBLR20M	60										180,0	1620,0	9,0	
10580DBLR20H	70										270,0	2430,0	9,0	
12564DBLR20W	45	124	64	M20	18 X 23 (18X23)	177	182	215	144	4	160,0	1120,0	7,0	1
12564DBLR20M	60										305,0	2135,0	7,0	
12564DBLR20H	70										450,0	3150,0	7,0	

FIBET GROUP operates a policy of continuous improvement and development. We reserve the right to change design and specification of our products without prior notification or alteration of literature.