



A complete range of mounts, which can be fixed in numerous ways with either internal, external or combination threads, and can be used in compression or shear. They come in various sizes, from 8 to 150mm, with loads applied from 2daN (approx. 2kg) to over 1,000 daN (approx. 1,020kg).



### STANDARD PRODUCTION

**Cold formed screws and nuts**

Nuts: Class 4 Screws: Class 4.8

**Welded screws and nuts**

Washer: DD12 steel UNI 10111

Nuts: Class 4 Screws: Class 4.8

Natural rubber NR

Zinc plated in accordance with CE standards CHROME VI free, white

Stiffness tolerance +/- 20%

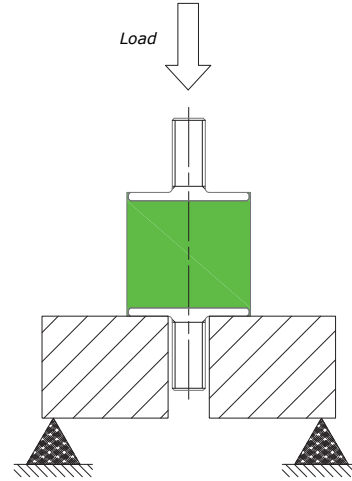
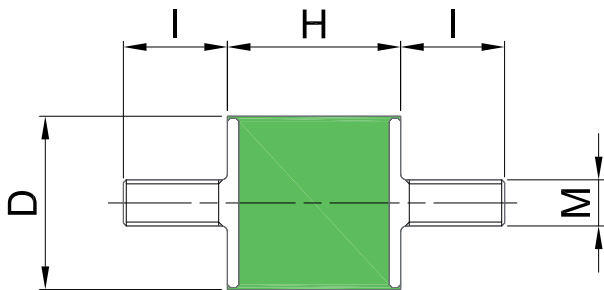
### APPLICATIONS

- Measurement equipment • Instruments • Small machinery
- Engines • Pumps • Radiators



MALE/MALE BOBBIN

Type VV



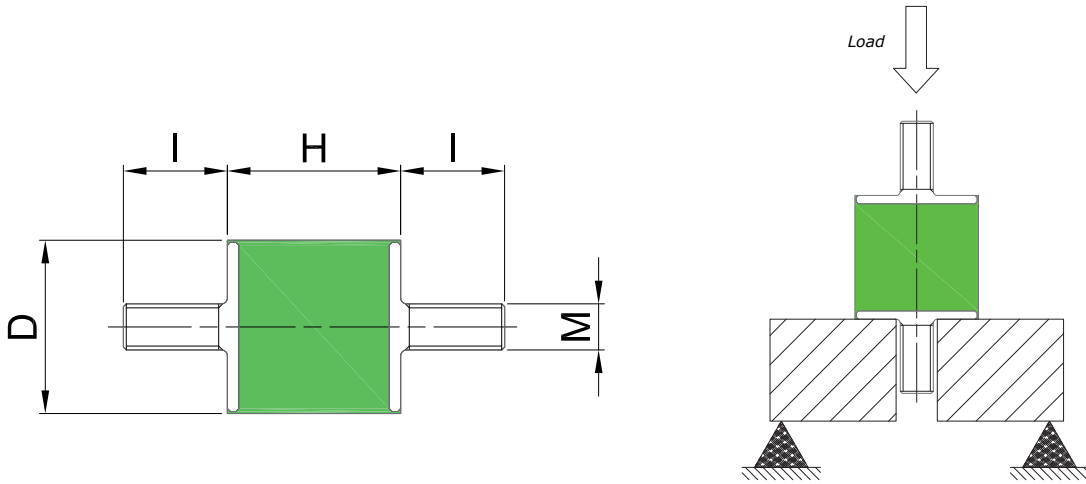
(N.B. 1 daN = 1.0197 kgf)

Item	D	H	M x l	Stiffness 45 IRHD (daN/mm)	Stiffness 60 IRHD (daN/mm)	Stiffness 70 IRHD (daN/mm)	Max static deflection (mm)
0808VV06	8	8	M3X06	3,0	5,5	7,5	1,6
1008VV10	10	8	M4X10	3,8	7,2	11,3	1,6
1413VV10	14	13	M4X10	3,6	7,1	9,8	2,8
1508VV10	15	8	M4X10	12,8	23,5	32,5	1,6
1615VV10	16	15	M4X10	4,5	8,2	11,5	3,0
1885VV16	18	8,5	M6X16	17,2	32,5	45,0	1,7
2008VV18	20	8	M6X18	19,2	35,0	48,3	1,6
2015VV18	20	15	M6X18	7,5	14,2	19,2	3,0
2020VV18	20	20	M6X18	4,4	8,1	11,3	4,0
2025VV18	20	25	M6X18	3,0	5,5	7,7	5,0
2030VV18	20	30	M6X18	2,0	3,7	5,2	6,0
2510VV18	25	10	M6X18	27,8	53,3	73,3	2,0
2513VV18	25	13	M6X18	20,5	39,0	54,3	2,6
2515VV18	25	5	M6X18	15,0	28,3	40,0	3,0
2520VV18	25	20	M6X18	10,0	18,1	24,4	4,0
2520VV20	25	20	M8X20	10,0	18,1	24,4	4,0
2522VV20	25	22	M8X20	8,0	15,0	20,0	4,4
2525VV18	25	25	M6X18	5,9	11,0	15,2	5,0
2525VV20	25	25	M8X20	5,9	11,0	15,2	5,0



MALE/MALE BOBBIN

Type VV



(N.B. 1 daN = 1.0197 kgf)

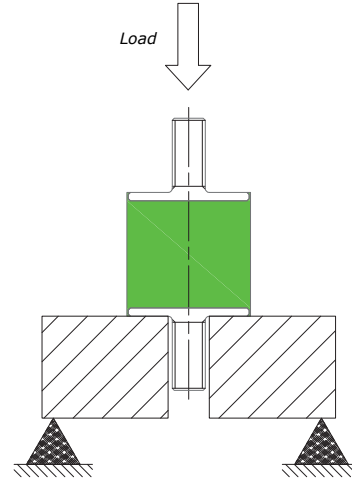
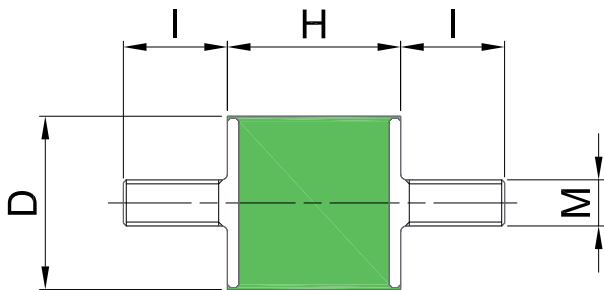
Item	D	H	M x l	Stiffness 45 IRHD (daN/mm)	Stiffness 60 IRHD (daN/mm)	Stiffness 70 IRHD (daN/mm)	Max static deflection (mm)
2530VV18	25	30	M6X18	4,3	8,1	10,7	6,0
2530VV20	25	30	M8X20	4,3	8,1	10,7	6,0
2540VV20	25	40	M8X20	2,7	5,3	7,2	6,0
3015VV20	30	15	M8X20	20,0	37,3	51,8	3,0
3020VV20	30	20	M8X20	12,5	23,8	31,9	4,0
3022VV20	30	22	M8X20	10,6	18,9	26,1	4,4
3025VV20	30	25	M8X20	8,1	13,8	19,0	5,0
3030VV20	30	30	M8X20	5,8	10,8	14,6	6,0
3040VV20	30	40	M8X20	4,5	7,6	10,0	8,0
4015VV23	40	15	M8X23	17,9	33,7	46,4	3,0
4020VV23	40	20	M8X23	25,6	48,1	66,3	4,0
4020VV25	40	20	M10X25	25,6	48,1	66,3	4,0
4025VV25	40	25	M10X25	18,1	33,8	46,2	5,0
4028VV25	40	28	M10X25	14,6	27,1	37,1	5,6
4030VV23	40	30	M8X23	12,7	23,8	33,5	6,0
4030VV25	40	30	M10X25	12,7	23,8	33,5	6,0
4035VV23	40	35	M8X23	9,7	18,1	25,2	7,0
4035VV25	40	35	M10X25	9,7	18,1	25,2	7,0
4040VV23	40	40	M8X23	8,1	15,0	20,6	8,0

FIBET GROUP operates a policy of continuous improvement and development. We reserve the right to change design and specification of our products without prior notification or alteration of literature.



MALE/MALE BOBBIN

Type VV



(N.B. 1 daN = 1.0197 kgf)

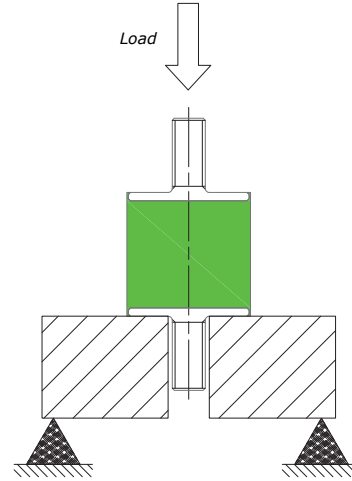
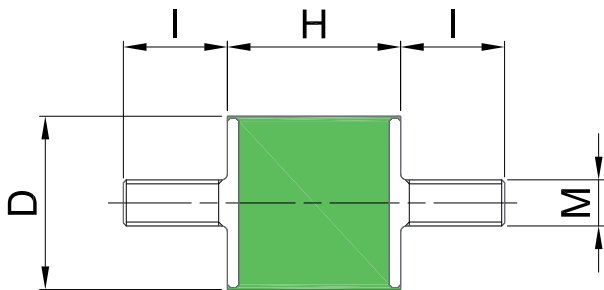
Item	D	H	M x l	Stiffness 45 IRHD (daN/mm)	Stiffness 60 IRHD (daN/mm)	Stiffness 70 IRHD (daN/mm)	Max static deflection (mm)
4040VV25	40	40	M10X25	8,1	15,0	20,6	8,0
4045VV25	40	45	M10X25	6,8	12,7	17,1	9,0
5020VV25	50	20	M10X25	56,7	106,0	146,0	4,0
5025VV25	50	25	M10X25	39,5	73,5	101,5	5,0
5030VV25	50	30	M10X25	27,2	50,0	69,2	6,0
5033VV25	50	33	M10X25	22,4	41,0	56,9	6,6
5035VV25	50	35	M10X25	19,7	36,7	50,3	7,0
5040VV25	50	40	M10X25	14,0	26,0	36,0	8,0
5045VV25	50	45	M10X25	11,0	20,5	28,5	9,0
5050VV25	50	50	M10X25	8,9	16,9	23,1	8,0
6025VV25	60	25	M10X25	61,0	113,5	157,0	5,0
6030VV25	60	30	M10X25	43,2	80,0	110,4	6,0
6030VV37	60	30	M12X37	43,2	80,0	110,4	6,0
6036VV25	60	36	M10X25	34,2	63,5	87,7	7,2
6036VV37	60	36	M12X37	34,2	63,5	87,7	7,2
6040VV25	60	40	M10X25	28,0	52,3	71,1	8,0
6040VV37	60	40	M12X37	28,0	52,3	71,1	8,0
6045VV25	60	45	M10X25	22,3	41,5	57,5	9,0
6045VV37	60	45	M12X37	22,3	41,5	57,5	9,0

FIBET GROUP operates a policy of continuous improvement and development. We reserve the right to change design and specification of our products without prior notification or alteration of literature.



MALE/MALE BOBBIN

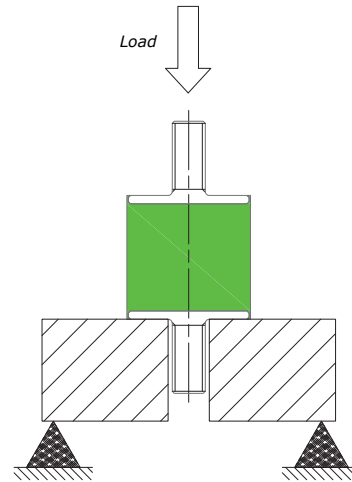
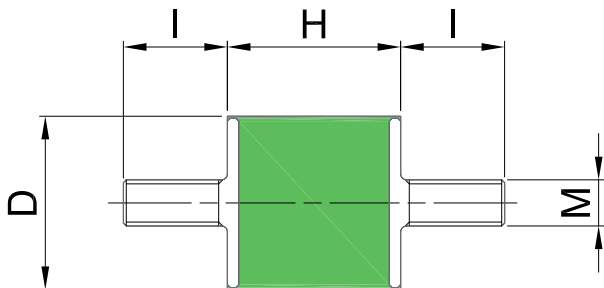
Type VV



(N.B. 1 daN = 1.0197 kgf)

Item	D	H	M x l	Stiffness 45 IRHD (daN/mm)	Stiffness 60 IRHD (daN/mm)	Stiffness 70 IRHD (daN/mm)	Max static deflection (mm)
6050VV37	60	50	M12X37	17,8	33,1	45,6	10,0
6055VV37	60	55	M12X37	14,6	27,2	37,2	11,0
6535VV25	65	35	M10X25	43,0	80,0	110,7	7,0
6545VV37	65	45	M12X37	25,0	46,3	64,0	9,0
6550VV37	65	50	M12X37	19,1	35,1	48,9	10,0
7030VV25	70	30	M10X25	70,8	132,1	180,0	6,0
7030VV37	70	30	M12X37	70,8	132,1	180,0	6,0
7035VV25	70	35	M10X25	51,7	102,8	141,7	7,0
7035VV37	70	35	M12X37	51,7	102,8	141,7	7,0
7040VV25	70	40	M10X25	40,9	75,9	105,0	8,0
7040VV37	70	40	M12X37	40,9	75,9	105,0	8,0
7045VV25	70	45	M10X25	32,1	59,5	80,0	9,0
7045VV37	70	45	M12X37	32,1	59,5	80,0	9,0
7050VV25	70	50	M10X25	25,9	48,0	66,4	10,0
7050VV37	70	50	M12X37	25,9	48,0	66,4	10,0
7060VV25	70	60	M10X25	20,9	38,5	53,3	12,0
7060VV37	70	60	M12X37	20,9	38,5	53,3	12,0
7070VV25	70	70	M10X25	16,9	31,3	43,4	14,0
7070VV37	70	70	M12X37	16,9	31,3	43,4	14,0

FIBET GROUP operates a policy of continuous improvement and development. We reserve the right to change design and specification of our products without prior notification or alteration of literature.

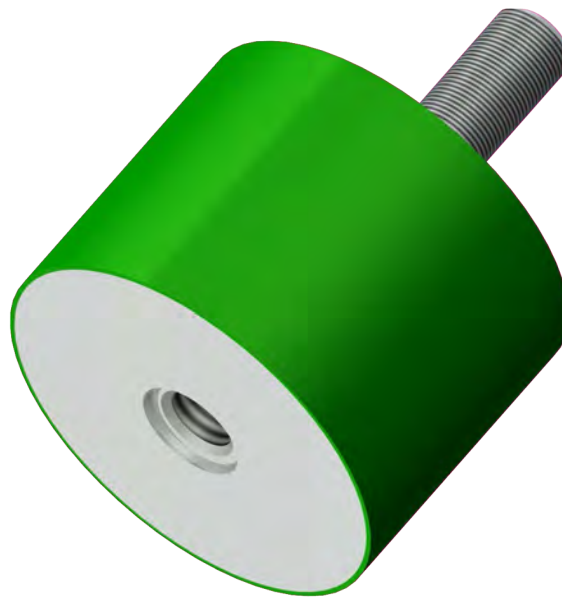


(N.B. 1 daN = 1.0197 kgf)

Item	D	H	M x l	Stiffness 45 IRHD (daN/mm)	Stiffness 60 IRHD (daN/mm)	Stiffness 70 IRHD (daN/mm)	Max static deflection (mm)
7525VV37	75	25	M12X37	116,3	221,1	303,7	5,0
7540VV37	75	40	M12X37	44,1	82,4	113,5	8,0
7550VV37	75	50	M12X37	32,5	60,9	84,1	10,0
7555VV37	75	55	M12X37	25,5	48,0	66,1	11,0
8030VV35	80	30	M14X35	112,5	213,3	293,3	6,0
8040VV35	80	40	M14X35	60,0	112,1	155,0	8,0
8050VV35	80	50	M14X35	39,8	75,0	103,2	10,0
8060VV35	80	60	M14X35	26,7	50,0	68,5	12,0
8070VV35	80	70	M14X35	20,5	38,3	52,5	14,0
8080VV35	80	80	M14X35	16,8	30,9	42,6	16,0
10030VV44	100	30	M16X44	209,1	400,0	550,0	6,0
10040VV44	100	40	M16X44	115,6	209,4	289,1	8,0
10045VV44	100	45	M16X44	87,8	162,2	224,3	9,0
10050VV44	100	50	M16X44	69,0	125,0	172,6	10,0
10055VV44	100	55	M16X44	57,4	106,4	146,8	11,0
10060VV44	100	60	M16X44	50,0	90,4	125,0	12,0
10075VV44	100	75	M16X44	32,1	56,7	78,4	15,0
100100VV44	100	100	M16X44	17,9	32,1	44,6	20,0
15075VV44	150	75	M16X44	97,0	178,5	246,4	15,0



A complete range of mounts, which can be fixed in numerous ways with either internal, external or combination threads, and can be used in compression or shear. They come in various sizes, from 8 to 150mm, with loads applied from 2daN (approx. 2kg) to over 1,000 daN (approx. 1,020kg).



### STANDARD PRODUCTION

**Cold formed screws and nuts** Nuts: Class 4 Screws : Class 4.8  
**Welded screws and nuts** Washer: DD12 steel UNI 10111  
 Nuts: Class 4 Screws: Class 4.8

Natural rubber NR

Zinc plated in accordance with CE standards CHROME VI free, white

Stiffness tolerance +/- 20%

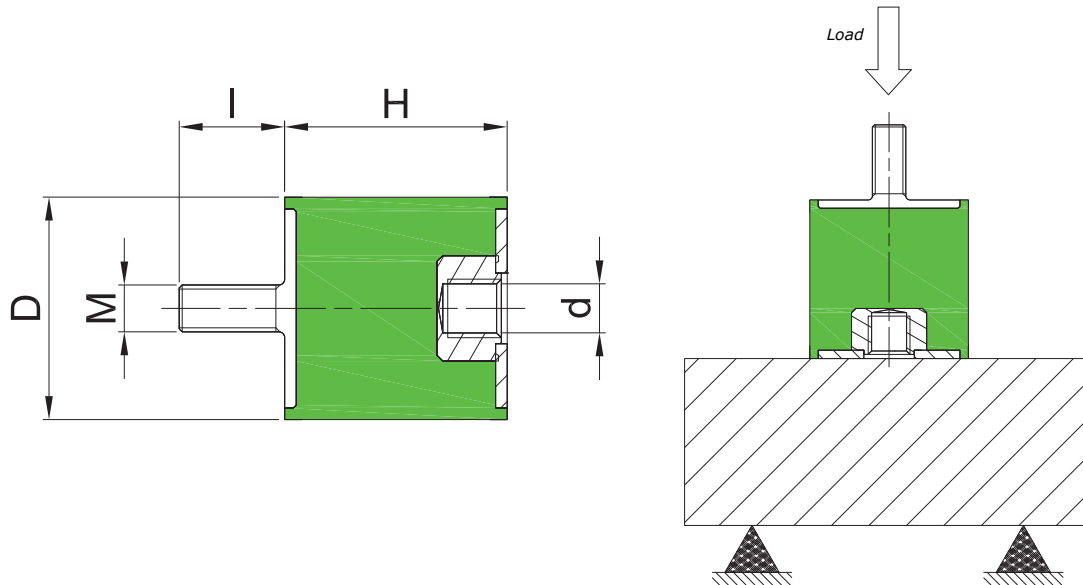
### APPLICATIONS

- Measurement equipment • Instruments • Small machinery
- Engines • Pumps • Radiators



MALE/FEMALE BOBBIN

Type VD



(N.B. 1 daN = 1.0197 kgf)

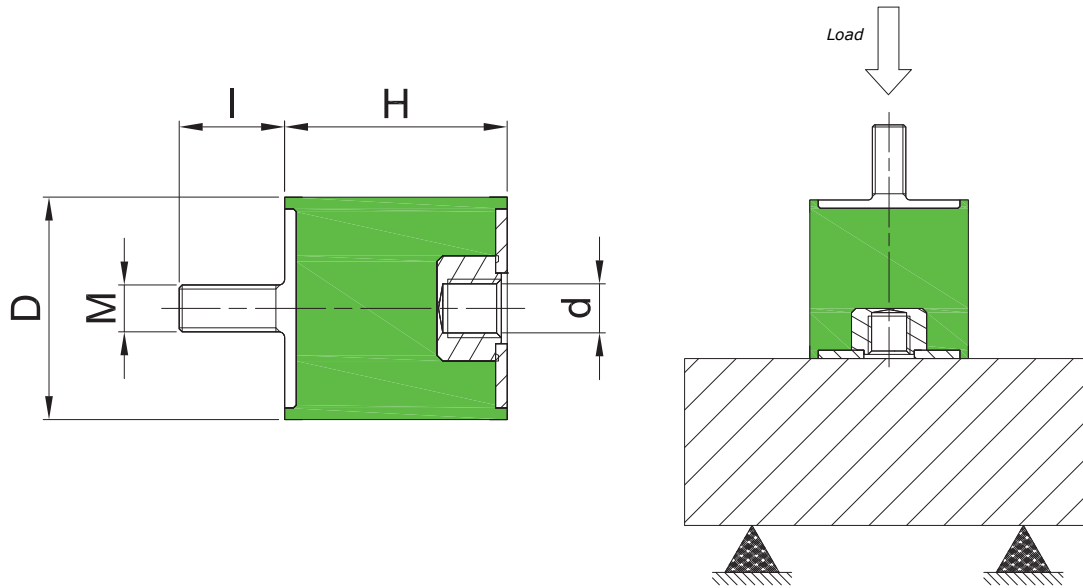
Item	D	H	d	M x l	Stiffness 45 IRHD (daN/mm)	Stiffness 60 IRHD (daN/mm)	Stiffness 70 IRHD (daN/mm)	Max static deflection (mm)
0808VD06	8	8	M3	M3X6	3,8	7,2	11,3	1,6
1008VD10	10	8	M4	M4X10	4,0	7,3	10,3	1,6
1413VD10	14	13	M4	M4X10	3,7	7,3	10,1	2,6
1615VD10	16	15	M4	M4X10	4,6	8,5	11,8	3,0
2015VD18	20	15	M6	M6X18	7,8	14,6	20,0	3,0
2020VD18	20	20	M6	M6X18	4,5	8,4	11,6	4,0
2025VD18	20	25	M6	M6X18	3,1	5,6	8,0	5,0
2030VD18	20	30	M6	M6X18	2,1	3,8	5,3	6,0
2515VD18	25	15	M6	M6X18	15,4	29,2	40,8	3,0
2520VD18	25	20	M6	M6X18	10,3	18,8	25,0	4,0
2520VD20	25	20	M8	M8X20	10,3	18,8	25,0	4,0
2522VD20	25	22	M8	M8X20	8,2	15,6	20,6	4,4
2525VD18	25	25	M6	M6X18	6,1	11,4	15,7	5,0
2525VD20	25	25	M8	M8X20	6,1	11,4	15,7	5,0
2530VD18	25	30	M6	M6X18	4,4	8,5	11,1	6,0
2530VD20	25	30	M8	M8X20	4,4	8,5	11,1	6,0
3015VD20	30	15	M8	M8X20	20,9	38,2	53,6	3,0
3020VD20	30	20	M8	M8X20	13,1	22,4	33,1	4,0
3022VD20	30	22	M8	M8X20	11,1	19,4	26,7	4,4





MALE/FEMALE BOBBIN

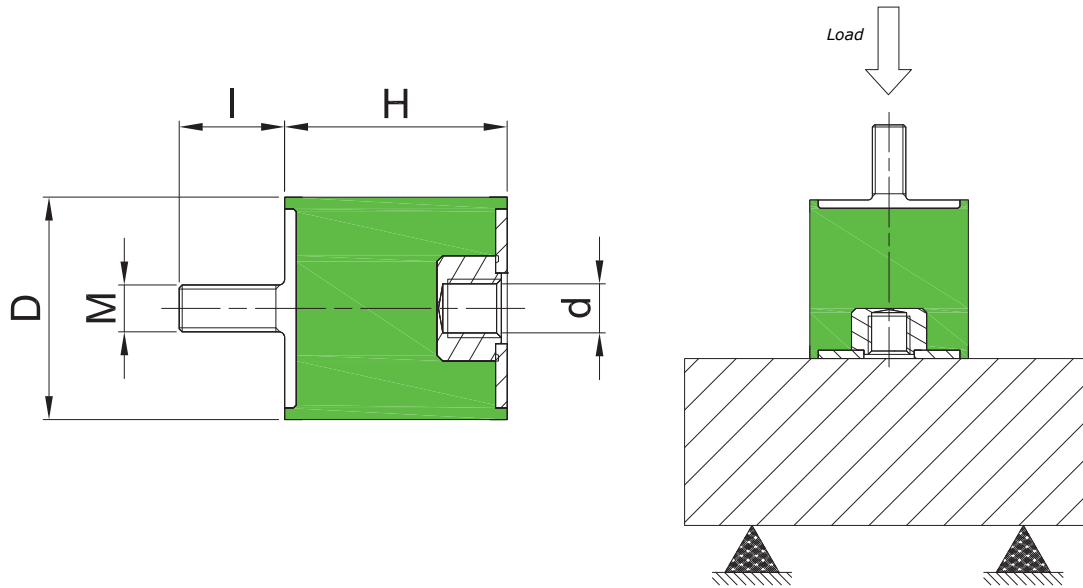
Type VD



(N.B. 1 daN = 1.0197 kgf)

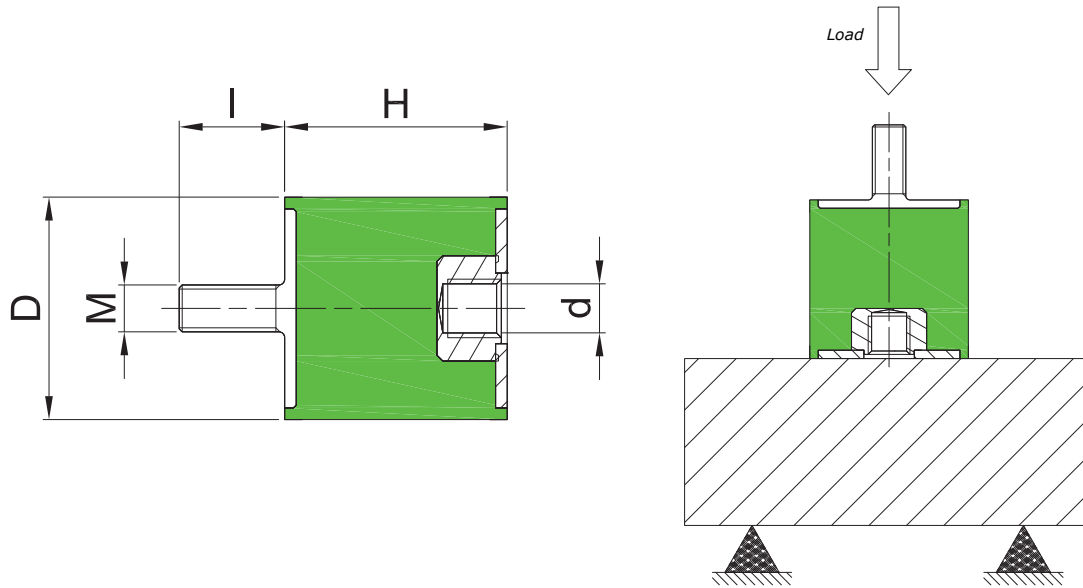
Item	D	H	d	M x I	Stiffness 45 IRHD (daN/mm)	Stiffness 60 IRHD (daN/mm)	Stiffness 70 IRHD (daN/mm)	Max static deflection (mm)
3025VD20	30	25	M8	M8X20	8,3	14,3	19,5	5,0
3030VD20	30	30	M8	M8X20	6,0	11,2	15,0	6,0
3040VD20	30	40	M8	M8X20	4,0	7,8	10,3	8,0
4020VD23	40	20	M8	M8X23	26,3	49,4	68,1	4,0
4020VD25	40	20	M10	M10X25	26,3	49,4	68,1	4,0
4025VD25	40	25	M10	M10X25	18,6	34,8	47,6	5,0
4028VD25	40	28	M10	M10X25	15,0	27,9	38,3	5,6
4030VD23	40	30	M8	M8X23	13,1	24,6	34,2	6,0
4030VD25	40	30	M10	M10X25	13,1	24,6	34,2	6,0
4035VD23	40	35	M8	M8X23	10,0	18,4	25,8	7,0
4035VD25	40	35	M10	M10X25	10,0	18,4	25,8	7,0
4040VD23	40	40	M8	M8X23	8,3	15,3	21,1	8,0
4040VD25	40	40	M10	M10X25	8,3	15,3	21,1	8,0
4045VD25	40	45	M10	M10X25	7,1	12,9	18,3	9,0
5020VD25	50	20	M10	M10X25	58,0	109,3	150,7	4,0
5025VD25	50	25	M10	M10X25	40,5	75,5	104,5	5,0
5030VD25	50	30	M10	M10X25	28,0	51,6	71,2	6,0
5035VD25	50	35	M10	M10X25	20,3	37,7	52,0	7,0
5040VD25	50	40	M10	M10X25	14,3	26,9	37,1	8,0

FIBET GROUP operates a policy of continuous improvement and development. We reserve the right to change design and specification of our products without prior notification or alteration of literature.



(N.B. 1 daN = 1.0197 kgf)

Item	D	H	d	M x l	Stiffness 45 IRHD (daN/mm)	Stiffness 60 IRHD (daN/mm)	Stiffness 70 IRHD (daN/mm)	Max static deflection (mm)
5045VD25	50	45	M10	M10X25	11,3	21,0	29,3	9,0
5050VD25	50	50	M10	M10X25	9,1	17,3	23,8	10,0
6030VD25	60	30	M10	M10X25	44,4	82,4	113,6	6,0
6036VD25	60	36	M10	M10X25	35,2	65,5	90,3	7,2
6036VD37	60	36	M12	M12X37	35,2	65,5	90,3	7,2
6040VD25	60	40	M10	M10X25	28,9	53,7	73,1	8,0
6040VD37	60	40	M12	M12X37	28,9	53,7	73,1	8,0
6045VD25	60	45	M10	M10X25	23,0	42,8	59,3	9,0
6045VD37	60	45	M12	M12X37	23,0	42,8	59,3	9,0
6050VD37	60	50	M12	M12X37	18,2	34,0	46,9	10,0
6055VD37	60	55	M12	M12X37	15,0	28,0	38,2	11,0
6535VD25	65	35	M10	M10X25	44,3	82,3	114,0	7,0
6545VD37	65	45	M12	M12X37	25,8	47,5	66,0	9,0
6550VD37	65	50	M12	M12X37	19,6	36,2	50,2	10,0
7030VD25	70	30	M10	M10X25	72,9	135,8	185,4	6,0
7030VD37	70	30	M12	M12X37	72,9	135,8	185,4	6,0
7035VD25	70	35	M10	M10X25	53,1	105,9	145,9	7,0
7035VD37	70	35	M12	M12X37	53,1	105,9	145,9	7,0
7040VD25	70	40	M10	M10X25	42,1	78,2	107,9	8,0



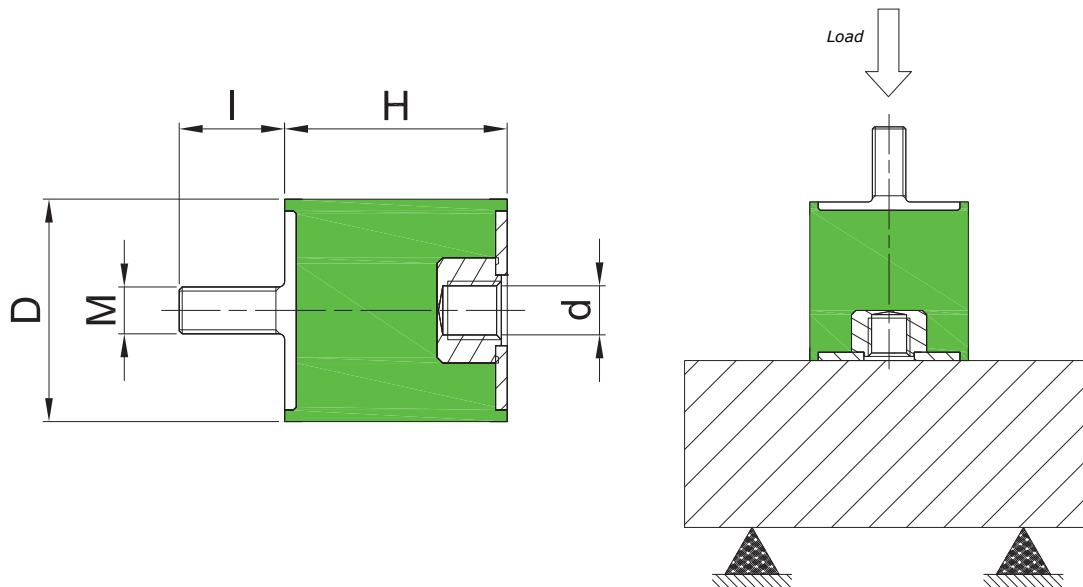
(N.B. 1 daN = 1.0197 kgf)

Item	D	H	d	M x I	Stiffness 45 IRHD (daN/mm)	Stiffness 60 IRHD (daN/mm)	Stiffness 70 IRHD (daN/mm)	Max static deflection (mm)
7040VD37	70	40	M12	M12X37	42,1	78,2	107,9	8,0
7045VD25	70	45	M10	M10X25	33,1	61,3	82,3	9,0
7045VD37	70	45	M12	M12X37	33,1	61,3	82,3	9,0
7050VD25	70	50	M10	M10X25	26,6	49,3	68,2	10,0
7050VD37	70	50	M12	M12X37	26,6	49,3	68,2	10,0
7060VD25	70	60	M10	M10X25	21,5	39,6	54,8	12,0
7060VD37	70	60	M12	M12X37	21,5	39,6	54,8	12,0
7070VD25	70	70	M10	M10X25	17,3	32,2	44,7	14,0
7070VD37	70	70	M12	M12X37	17,3	32,2	44,7	14,0
7540VD37	75	40	M12	M12X37	45,3	84,7	116,8	8,0
7550VD37	75	50	M12	M12X37	33,4	62,7	86,6	10,0
7555VD37	75	55	M12	M12X37	26,1	49,4	68,0	11,0
8030VD35	80	30	M14	M14X35	115,8	219,6	302,1	6,0
8040VD35	80	40	M14	M14X35	61,8	115,3	159,7	8,0
8050VD35	80	50	M14	M14X35	40,9	77,3	106,1	10,0
8050VD37	80	50	M12	M12X37	40,9	77,3	106,1	10,0
8060VD35	80	60	M14	M14X35	27,4	51,5	70,6	12,0
8070VD35	80	70	M14	M14X35	21,1	39,4	54,1	14,0
8080VD35	80	80	M14	M14X35	17,3	31,9	43,8	16,0



MALE/FEMALE BOBBIN

Type VD

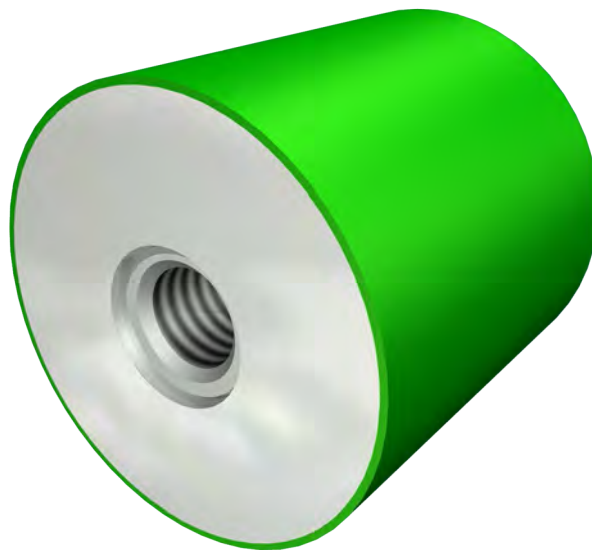


(N.B. 1 daN = 1.0197 kgf)

Item	D	H	d	M x l	Stiffness 45 IRHD (daN/mm)	Stiffness 60 IRHD (daN/mm)	Stiffness 70 IRHD (daN/mm)	Max static deflection (mm)
10040VD44	100	40	M16	M16X44	118,8	215,6	296,9	8,0
10050VD44	100	50	M16	M16X44	71,4	128,6	178,6	10,0
10055VD44	100	55	M16	M16X44	58,5	109,6	151,1	11,0
10060VD44	100	60	M16	M16X44	51,0	92,3	128,8	12,0
10075VD44	100	75	M16	M16X44	32,8	58,2	80,6	15,0
100100VD44	100	100	M16	M16X44	18,5	32,6	45,7	20,0



A complete range of mounts, which can be fixed in numerous ways with either internal, external or combination threads, and can be used in compression or shear. They come in various sizes, from 8 to 150mm, with loads applied from 2daN (approx. 2kg) to over 1,000 daN (approx. 1,020kg).



### STANDARD PRODUCTION

**Cold formed screws and nuts** Nuts: Class 4 Screws: Class 4.8  
**Welded screws and nuts** Washer: DD12 steel UNI 10111  
 Nuts: Class 4 Screws: Class 4.8

Natural rubber NR

Zinc plated in accordance with CE standards CHROME VI free, white

Stiffness tolerance +/- 20%

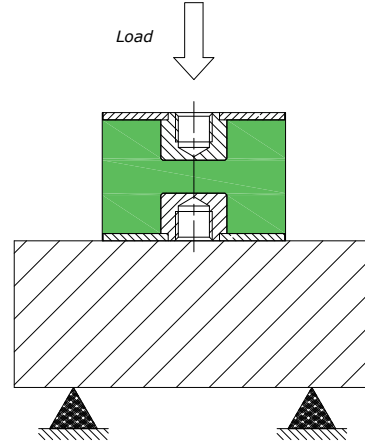
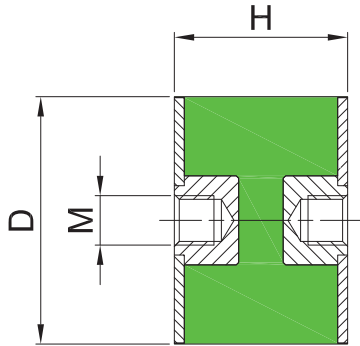
### APPLICATIONS

- Measurement equipment • Instruments • Small machinery
- Engines • Pumps • Radiators



FEMALE/FEMALE BOBBIN

Type DD



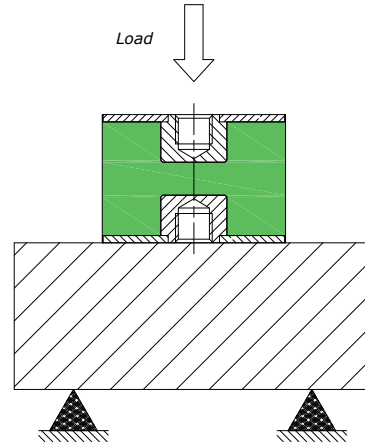
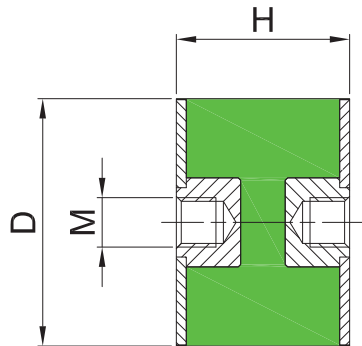
(N.B. 1 daN = 1.0197 kgf)

Item	D	H	M	Stiffness 45 IRHD (daN/mm)	Stiffness 60 IRHD (daN/mm)	Stiffness 70 IRHD (daN/mm)	Max static deflection (mm)
1413DD04	14	13	M4	3,8	7,3	10,0	2,8
1615DD04	16	15	M4	4,7	8,6	12,2	3,0
1615DD05	16	15	M5	4,7	8,6	12,2	3,0
2015DD06	20	15	M6	7,9	14,8	20,5	3,0
2020DD06	20	20	M6	4,6	8,6	11,8	4,0
2025DD06	20	25	M6	3,2	5,7	8,1	5,0
2030DD06	20	30	M6	2,2	3,8	5,4	6,0
2515DD06	25	15	M6	15,7	30,0	42,0	3,0
2520DD06	25	20	M6	10,5	19,4	25,6	4,0
2522DD08	25	22	M8	8,4	16,1	21,1	4,4
2525DD06	25	25	M6	6,2	11,9	16,2	5,0
2530DD06	25	30	M6	4,8	8,9	11,5	6,0
2530DD08	25	30	M8	4,8	8,9	11,5	6,0
3020DD08	30	20	M8	12,6	24,0	32,0	4,0
3025DD08	30	25	M8	8,6	14,8	20,0	5,0
3030DD08	30	30	M8	6,1	11,5	15,4	6,0
3040DD08	30	40	M8	4,1	8,1	10,6	8,0
4020DD08	40	20	M8	26,7	50,8	73,3	4,0
4028DD08	40	28	M8	15,4	28,3	38,8	5,6



**FEMALE/FEMALE BOBBIN**

**Type DD**



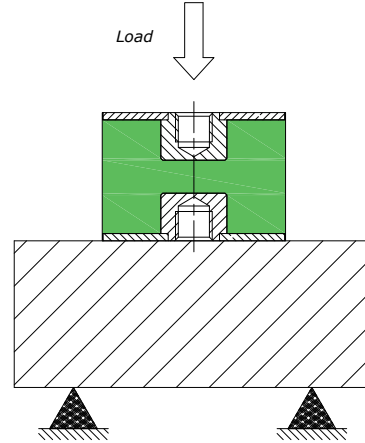
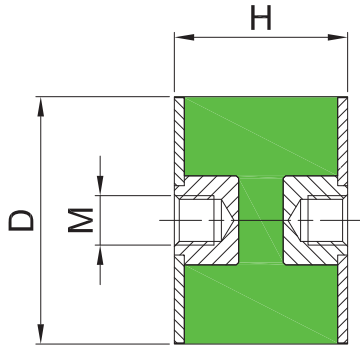
(N.B. 1 daN = 1.0197 kgf)

Item	D	H	M	Stiffness 45 IRHD (daN/mm)	Stiffness 60 IRHD (daN/mm)	Stiffness 70 IRHD (daN/mm)	Max static deflection (mm)
4028DD10	40	28	M10	15,4	28,3	38,8	5,6
4030DD08	40	30	M8	13,5	25,0	35,0	6,0
4030DD10	40	30	M10	13,5	25,0	35,0	6,0
4035DD08	40	35	M8	10,3	18,7	26,5	7,0
4035DD10	40	35	M10	10,3	18,7	26,5	7,0
4040DD08	40	40	M8	8,6	15,8	21,7	8,0
4040DD10	40	40	M10	8,6	15,8	21,7	8,0
4045DD10	40	45	M10	7,3	13,7	18,8	9,0
5025DD10	50	25	M10	36,2	66,7	91,9	5,0
5030DD10	50	30	M10	28,4	52,4	72,0	5,0
5035DD10	50	35	M10	20,7	38,3	52,7	7,0
5040DD10	50	40	M10	14,6	27,1	37,7	8,0
5045DD10	50	45	M10	11,5	21,5	30,0	9,0
5050DD10	50	50	M10	9,3	17,8	24,2	10,0
6036DD10	60	36	M10	35,8	66,5	91,9	7,2
6036DD12	60	36	M12	35,8	66,5	91,9	7,2
6040DD10	60	40	M10	29,4	54,9	74,6	8,0
6040DD12	60	40	M12	29,4	54,9	74,6	8,0
6045DD10	60	45	M10	23,3	43,5	60,3	9,0



FEMALE/FEMALE BOBBIN

Type DD



(N.B. 1 daN = 1.0197 kgf)

Item	D	H	M	Stiffness 45 IRHD (daN/mm)	Stiffness 60 IRHD (daN/mm)	Stiffness 70 IRHD (daN/mm)	Max static deflection (mm)
6045DD12	60	45	M12	23,3	43,5	60,3	9,0
6050DD12	60	50	M12	18,7	34,7	47,8	10,0
6055DD12	60	55	M12	13,8	25,8	35,5	11,0
6535DD10	65	35	M10	45,0	84,0	116,0	7,0
6545DD10	65	45	M10	26,3	48,5	67,0	9,0
6545DD12	65	45	M12	26,3	48,5	67,0	9,0
6550DD12	65	50	M12	20,0	36,7	51,1	10,0
7030DD10	70	30	M10	74,2	137,5	187,5	6,0
7030DD12	70	30	M12	74,2	137,5	187,5	6,0
7035DD10	70	35	M10	54,1	107,6	148,3	7,0
7035DD12	70	35	M12	54,1	107,6	148,3	7,0
7040DD10	70	40	M10	42,6	79,4	110,3	8,0
7040DD12	70	40	M12	42,6	79,4	110,3	8,0
7045DD10	70	45	M10	33,3	61,5	83,8	9,0
7045DD12	70	45	M12	33,3	61,5	83,8	9,0
7050DD10	70	50	M10	27,3	50,0	69,3	10,0
7050DD12	70	50	M12	27,3	50,0	69,3	10,0
7060DD10	70	60	M10	21,9	40,4	55,6	12,0
7060DD12	70	60	M12	21,9	40,4	55,6	12,0

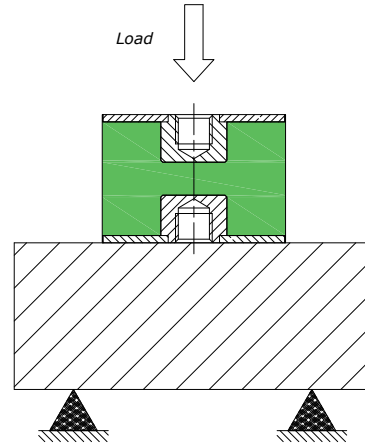
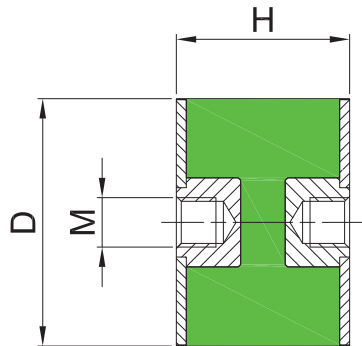
FIBET GROUP operates a policy of continuous improvement and development. We reserve the right to change design and specification of our products without prior notification or alteration of literature.





**FEMALE/FEMALE BOBBIN**

**Type DD**

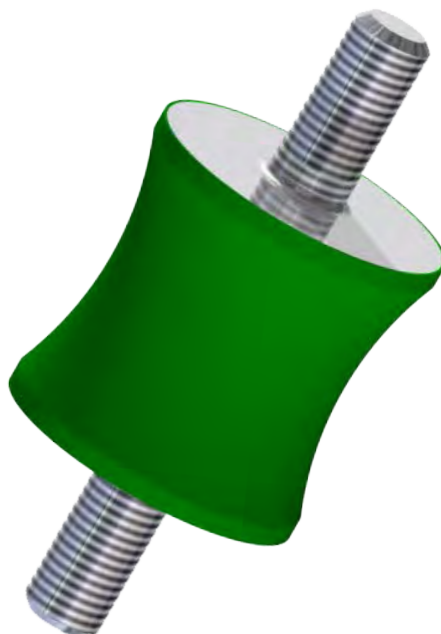


(N.B. 1 daN = 1.0197 kgf)

Item	D	H	M	Stiffness 45 IRHD (daN/mm)	Stiffness 60 IRHD (daN/mm)	Stiffness 70 IRHD (daN/mm)	Max static deflection (mm)
7070DD10	70	70	M10	17,7	32,8	45,3	14,0
7070DD12	70	70	M12	17,7	32,8	45,3	14,0
7540DD12	75	40	M12	46,2	85,3	117,6	8,0
7550DD12	75	50	M12	34,1	63,6	88,6	10,0
7555DD12	75	55	M12	26,5	50,0	69,4	11,0
8040DD14	80	40	M14	62,9	117,6	161,8	8,0
8050DD12	80	50	M12	42,0	78,4	108,0	10,0
8050DD14	80	50	M14	42,0	78,4	108,0	10,0
8060DD14	80	60	M14	27,8	51,9	71,3	12,0
8070DD14	80	70	M14	21,9	39,8	54,7	14,0
8080DD14	80	80	M14	17,6	32,4	44,6	16,0
10040DD16	100	40	M16	121,9	218,8	303,1	8,0
10045DD16	100	45	M16	93,2	168,9	233,8	9,0
10050DD16	100	50	M16	72,6	131,0	181,0	10,0
10055DD16	100	55	M16	59,6	110,6	153,2	11,0
10060DD16	100	60	M16	51,9	94,2	130,8	12,0
100100DD16	100	100	M16	19,0	33,2	46,7	20,0
15075DD16	150	75	M16	60,4	108,2	150,7	15,0
15075DD20	150	75	M20	60,4	108,2	150,7	15,0



A complete range of mounts, which can be fixed in numerous ways with either internal, external or combination threads, and can be used in compression or shear. They come in various sizes, from 8 to 150mm, with loads applied from 2daN (approx. 2.0kg) to over 340 daN (approx. 346kg).



### STANDARD PRODUCTION

<b>Cold formed screws and nuts</b>	Nuts: Class 4	Screws: Class 4.8
<b>Welded screws and nuts</b>	Washer: DD12 steel	UNI 10111
	Nuts: Class 4	Screws: Class 4.8

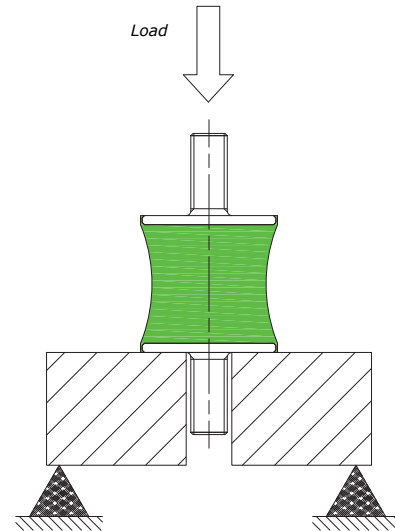
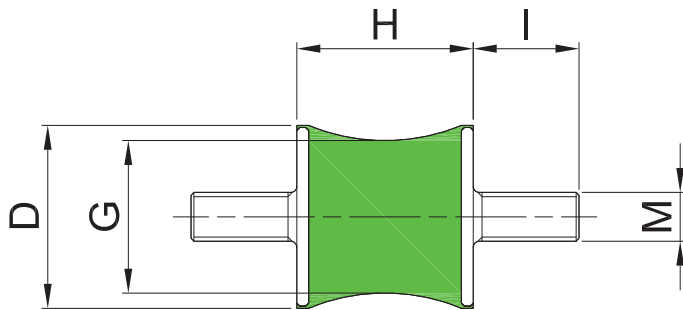
Natural rubber NR

Zinc plated in accordance with CE standards CHROME VI free, white

Stiffness tolerance +/- 20%

### APPLICATIONS

- Measurement equipment • Instruments • Small machinery
- Engines • Pumps • Radiators



(N.B. 1 daN = 1.0197 kgf)

Item	D	H	G	M x l	Stiffness 45 IRHD (daN/mm)	Stiffness 60 IRHD (daN/mm)	Stiffness 70 IRHD (daN/mm)	Max static deflection (mm)
1015GVV410	10	15	6	M4X10	1,6	2,4	3,3	3,0
1214GVV410	12	14	7	M4X10	2,0	3,0	4,2	2,8
1214GVV510	12	14	7	M5X10	2,0	3,0	4,2	2,8
1615GVV510	16	15	12,5	M5X10	3,4	6,5	10,1	3,0
2019GVV18	20	19	14,5	M6X18	4,0	6,0	8,2	3,8
2520GVVP18	25	20	10	M6X18	2,8	4,2	5,8	4,0
2520GVVG18	25	20	17	M6X18	4,8	7,3	10,2	4,0
3020GVV20	30	20	24	M8X20	6,8	10,1	14,0	4,0
4030GVVP23	40	30	15	M8X23	4,1	6,0	8,2	6,0
4030GVVG23	40	30	27	M8X23	7,0	10,5	14,4	6,0
6060GVV25	60	60	50	M10X25	13,9	20,6	28,4	12,0



A complete range of mounts, which can be fixed in numerous ways with either internal, external or combination threads, and can be used in compression or shear. They come in various sizes, from 8 to 150mm, with loads applied from 2daN (approx. 2kg) to over 350 daN (approx. 356kg).



### STANDARD PRODUCTION

**Cold formed screws and nuts** Nuts: Class 4 Screws: Class 4.8  
**Welded screws and nuts** Washer: DD12 steel UNI 10111  
 Nuts: Class 4 Screws: Class 4.8

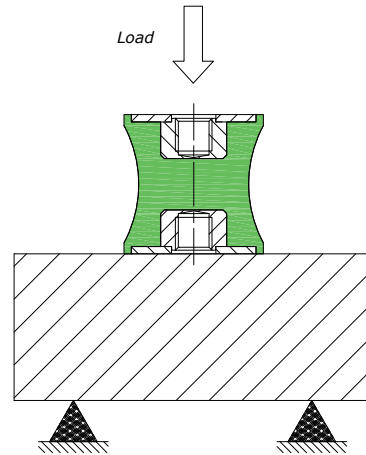
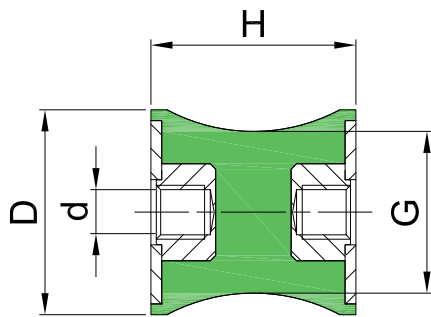
Natural rubber NR

Zinc plated in accordance with CE standards CHROME VI free, white

Stiffness tolerance +/- 20%

### APPLICATIONS

- Measurement equipment • Instruments • Small machinery
- Engines • Pumps • Radiators



(N.B. 1 daN = 1.0197 kgf)

Item	D	H	G	d	Stiffness 45 IRHD (daN/mm)	Stiffness 60 IRHD (daN/mm)	Stiffness 70 IRHD (daN/mm)	Max static deflection (mm)
1015GDD03	10	15	6	M3	1,7	2,5	3,5	3,0
1015GDD04	10	15	6	M4	1,7	2,5	3,5	3,0
2019GDD06	20	19	14,5	M6	4,2	6,3	8,6	3,8
2520GDD06	25	20	17	M6	5,1	7,7	10,7	4,0
3020GDD08	30	20	24	M8	7,1	10,6	14,8	4,0
4030GDDP08	40	30	15	M8	4,3	6,3	8,6	6,0
4030GDDG08	40	30	27	M8	7,4	11,0	15,1	6,0
6060GDD10	60	60	50	M10	14,6	21,6	29,8	12,0