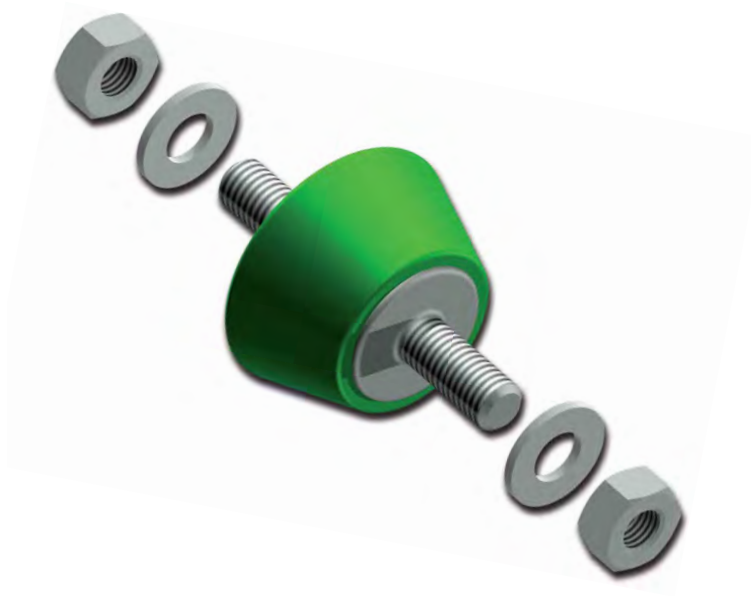




Fibet VVTC Mounts are the best low-cost solution for a wide range of air movement products.

They are designed with high damping capabilities in the medium-high frequency to reduce noise (actual and transient) and vibration levels of any air movement products (including air-conditioning, ventilation & MVHR systems), dramatically improving the local environment for occupants, users and neighbours.

The mounts are easy to install and are offered in a wide range of kits which include mounts, nuts & washers to suit any system requirements.



APPLICATIONS

- HVAC Unit

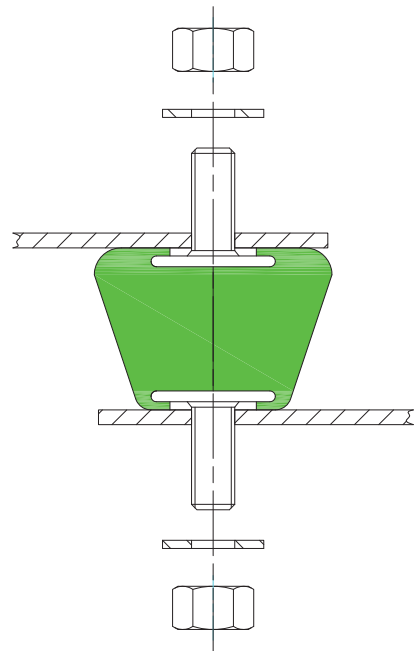
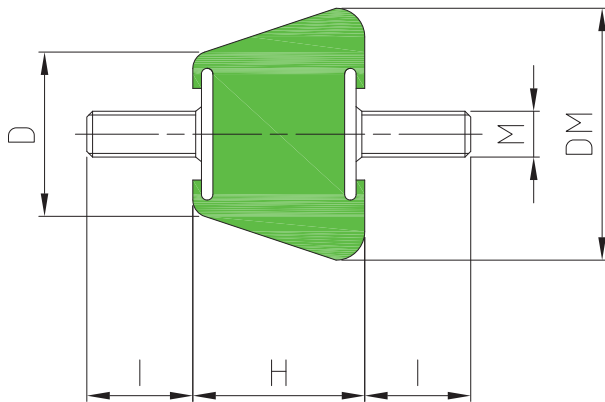
OPTIONS & ADDITIONAL PARTS

Alternative elastomeric hardness and compounds available



AIR MOVEMENT MOUNTS

Type VVTC



| Item | H | L | M | D | DM |
|-----------------------|-------------|-----------|-----------|-----------|-------------|
| KIT-4023VVTC20 | 22,5 | 20 | M8 | 28 | 39,5 |
| KIT-4430VVTC20 | 30 | 20 | M8 | 29 | 44 |

| KIT-4023VVTC20 | | |
|------------------|--------------|--------------|
| N°4 - 4023VVTC20 | N°8 - M8 Nut | N°8 - Washer |
| KIT-4430VVTC20 | | |
| N°4 - 4430VVTC20 | N°8 - M8 Nut | N°8 - Washer |



Fibet SG Mounts are the best low-cost solution for a wide range of air movement products. They are designed with high damping capabilities in the medium-high frequency to reduce noise (actual and transient) and vibration levels of any air movement products (including air-conditioning, ventilation & MVHR systems), dramatically improving the local environment for occupants, users and neighbours. The mounts are easy to install and are offered in a wide range of kits which include mounts, nuts & washers to suit any system requirements.

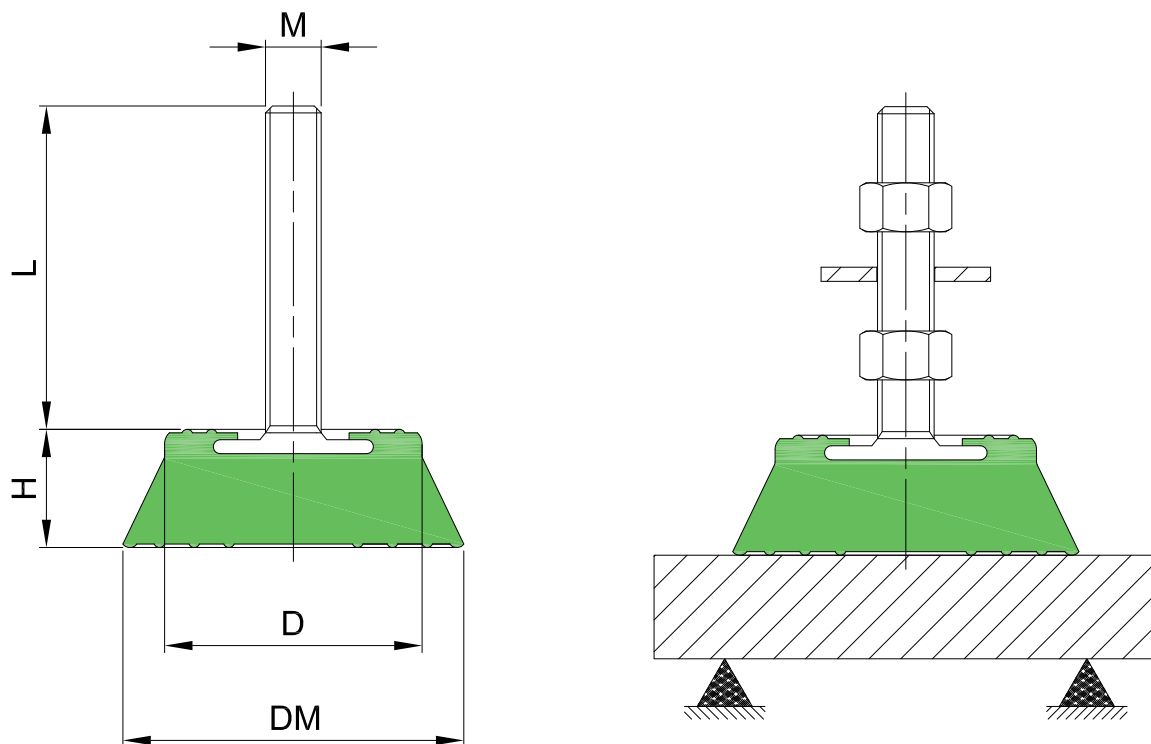


APPLICATIONS

- HVAC Unit
- Small Mobile Equipment

OPTIONS & ADDITIONAL PARTS

Alternative elastomeric hardness and compounds available



| Item | DM | D | H | M | L |
|-------------|----|----|----|-----|----|
| SG40 | 49 | 37 | 17 | M8 | 46 |
| SG60 | 59 | 51 | 19 | M10 | 77 |

| KIT-SG40 | | |
|------------|---------------|-------------|
| N°4 - SG40 | N°8 - M8 Nut | N°4 -Washer |
| KIT-SG60 | | |
| N°4 - SG60 | N°8 - M10 Nut | N°4 -Washer |